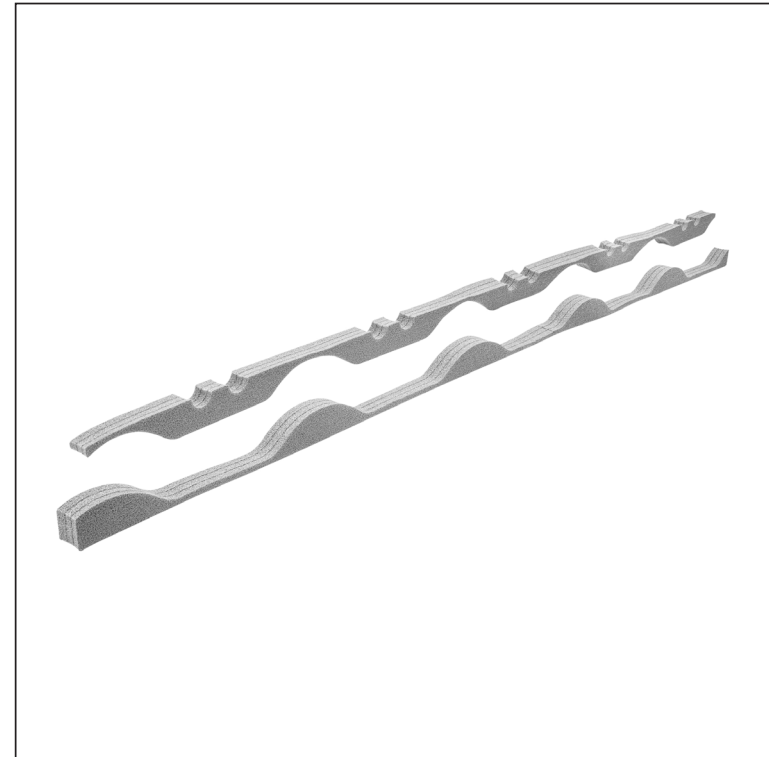
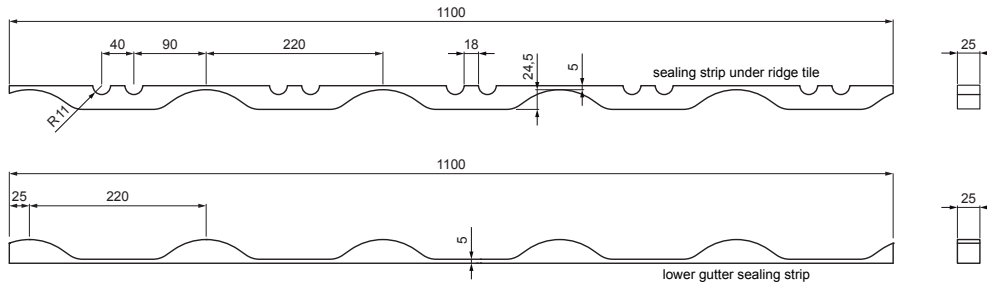


TECHNICAL SHEET

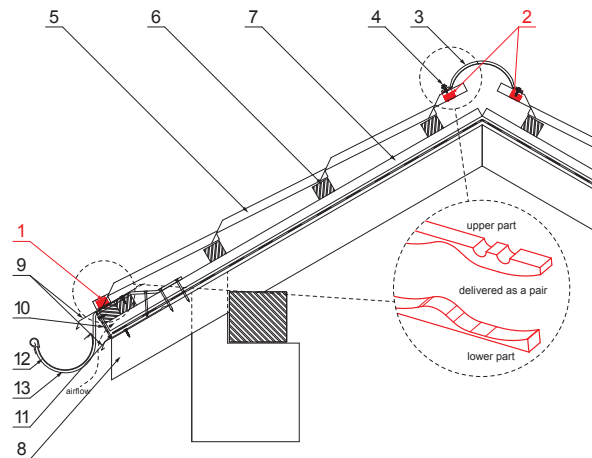
INFILL STRIP GRAY FOR METAL ROOFING UNI 2 TILES

UNI2-UTP






DETAIL:

- 1. gutter sealing strip
- 2. sealing strip under ridge tile
- 3. ridge cap
- 4. farmer screw 4,8x20
- 5. metal roofing
- 6. roof battens
- 7. battens
- 8. rafter
- 9. drip edge
- 10. protective ventilation belt
- 11. foil
- 12. gutter half-round
- 13. hook



PS Polyethylene – Dusty grey – RAL 7037

INDEX	CHANGE	DATE	SIGNATURE			
MATERIAL BRAND			W.C.	WEIGHT kg	SCALE	
SIZE, SEMI-FINISHED PRODUCTS				STN STANDARD	SORTING NUMBER	
AUXILIARY EQUIPMENT				NOTE	POSITION NUMBER	
ELABORATED BY Ing. Kluska M.						
TESTED BY						
TECHNOLOGIST		TECHNOLOGIST		OLD DRAWING	DRAWING NUMBER	
NAME				Number of sheets		Sheet
Infill strip gray for metal roofing UNI 2 tiles				UNI2-UTP		

Created: 06.03.2026 13:14:04

Technical changes reserved