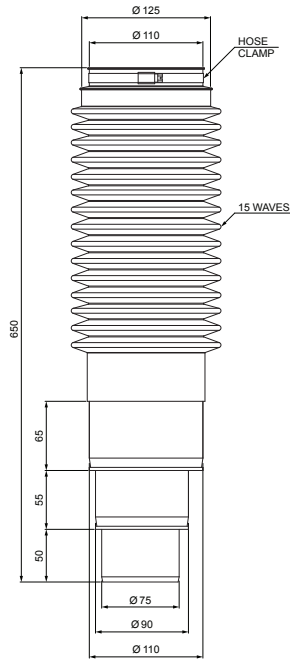


TECHNICAL SHEET

HOSE WITH TIGHTENING CLAMP 65 CM / 15 RIBBED

SD-HPI FLEX



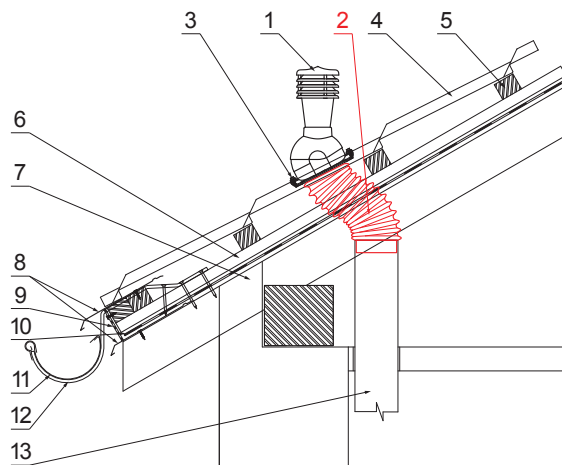
PVC

DESCRIPTION:

- the flex-hose is used to connect the ventilation chimney to the outlet of the interior ventilation or sewerage
- the flexible structure made of softened PVC allows, if necessary, a connection outside the chimney axis so that residual condensate can be captured
- a reduction made of hardened PVC allows a connection with $\varnothing 75$ mm, $\varnothing 90$ mm or $\varnothing 110$ mm
- connection at the hose clamp for $\varnothing 110$ mm - $\varnothing 125$ mm

DETAIL:

1. roof ventilation chimney
2. hose with tightening clamp
3. farmer screw 4,8x35
4. metal roofing
5. roof battens
6. batters
7. rafter
8. drip edge
9. protective ventilation belt
10. foil
11. gutter half-round
12. hook
13. ventilation PVC piping



INDEX	CHANGE	DATE	SIGNATURE		
MATERIAL BRAND			W.C.	WEIGHT kg	SCALE
SIZE, SEMI-FINISHED PRODUCTS				STN STANDARD	SORTING NUMBER
AUXILIARY EQUIPMENT				NOTE	POSITION NUMBER
ELABORATED BY Ing. Kluska M.					
TESTED BY				OLD DRAWING	DRAWING NUMBER
TECHNOLOGIST			TECHNOLOGIST		
NAME			Hose with tightening clamp 65cm/15 ribbed		Number of sheets
			SD-HPI FLEX		Sheet

Created: 04.06.2026 12:16:36

Technical changes reserved