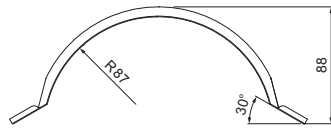
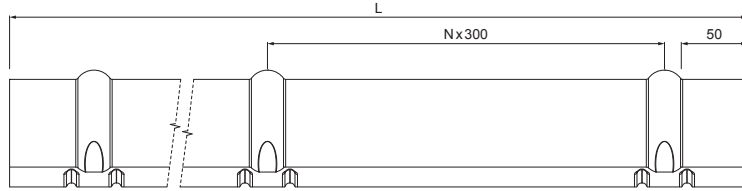


TECHNICAL SHEET

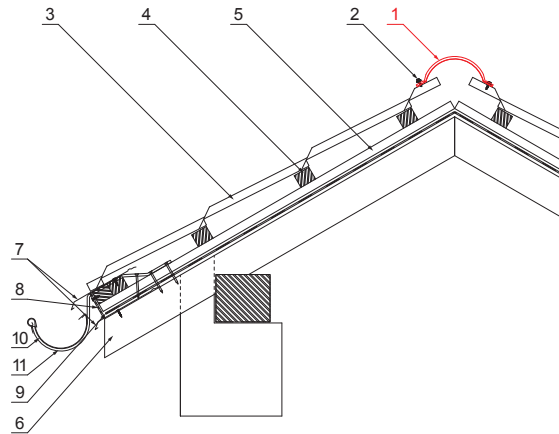
RIDGE CAP FOR METAL ROOFING

UNI-HRE



DETAIL:

- 1. ridge cap for metal roofing 2 m or 3 m covering width 1,864 m (2m) and 2,936 m (3m)
- 2. farmer screw 4,8x20
- 3. metal roofing
- 4. roof battens
- 5. battens
- 6. rafter
- 7. drip edge
- 8. protective ventilation belt
- 9. foil
- 10. gutter half-round
- 11. hook



IC Galvanized steel pre-painted – Intense black – RAL 9005

INDEX	CHANGE	DATE	SIGNATURE	KJG QUALITY®	Scan code for 3D model	
MATERIAL BRAND			W.C.	WEIGHT kg	SCALE	
SIZE, SEMI-FINISHED PRODUCTS				STN STANDARD	SORTING NUMBER	
AUXILIARY EQUIPMENT				NOTE	POSITION NUMBER	
ELABORATED BY Ing. Kluska M.				OLD DRAWING	DRAWING NUMBER	
TESTED BY			TECHNOLOGIST			
NAME			Ridge cap for metal roofing		Number of sheets	UNI-HRE Sheet

Dimensions [mm]		
Length [m]	L	N
2,0	1925	6
3,0	2825	9

Created: 06.06.2026 07:12:48

Technical changes reserved