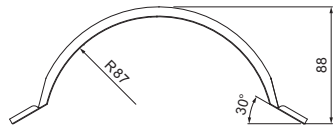
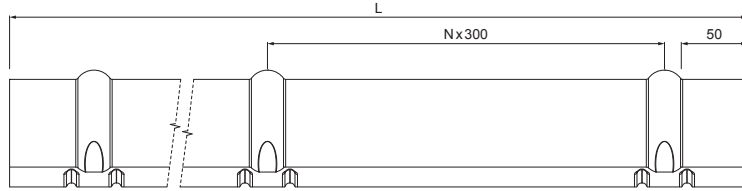


TECHNICAL SHEET

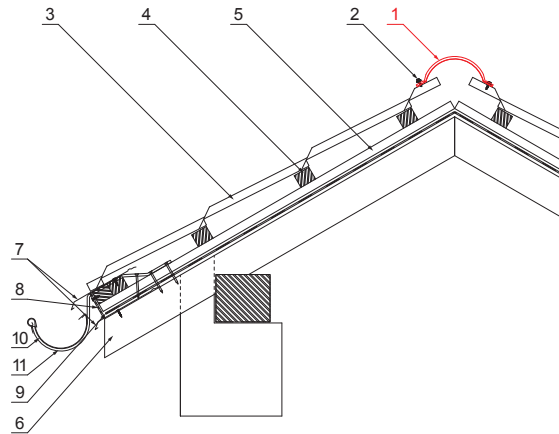
RIDGE CAP FOR METAL ROOFING

UNI-HRE



DETAIL:

- 1. ridge cap for metal roofing 2 m or 3 m covering width 1,864 m (2 m) and 2,936 m (3 m)
- 2. farmer screw 4,8x20
- 3. metal roofing
- 4. roof battens
- 5. battens
- 6. rafter
- 7. drip edge
- 8. protective ventilation belt
- 9. foil
- 10. gutter half-round
- 11. hook



SB Galvanized steel prepainted – Grey white – RAL 9002

INDEX	CHANGE	DATE	SIGNATURE	KJG QUALITY®	Scan code for 3D model	
MATERIAL BRAND			W.C.	WEIGHT kg	SCALE	
SIZE, SEMI-FINISHED PRODUCTS				STN STANDARD	SORTING NUMBER	
AUXILIARY EQUIPMENT				NOTE	POSITION NUMBER	
ELABORATED BY Ing. Kluska M.						
TESTED BY						
TECHNOLOGIST		TECHNOLOGIST		OLD DRAWING	DRAWING NUMBER	
NAME				UNI-HRE		
Ridge cap for metal roofing				Number of sheets		Sheet

Dimensions [mm]		
Length [m]	L	N
2,0	1925	6

Created: 06.06.2026 15:29:40

Technical changes reserved