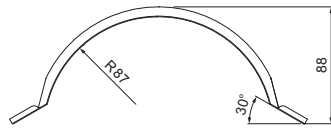
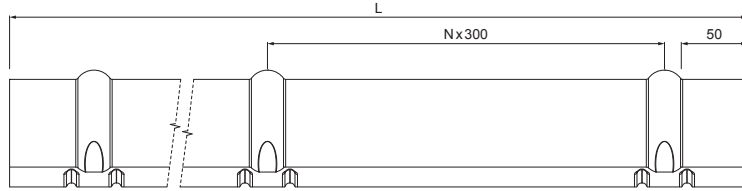


TECHNICAL SHEET

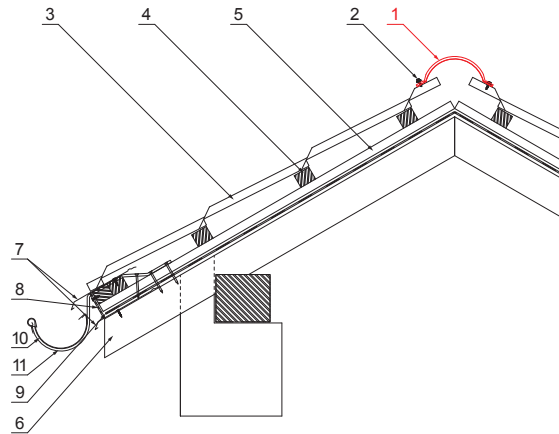
RIDGE CAP FOR METAL ROOFING

UNI-HRE



DETAIL:

- 1. ridge cap for metal roofing 2 m or 3 m covering width 1,864 m (2 m) and 2,936 m (3 m)
- 2. farmer screw 4,8x20
- 3. metal roofing
- 4. roof battens
- 5. battens
- 6. rafter
- 7. drip edge
- 8. protective ventilation belt
- 9. foil
- 10. gutter half-round
- 11. hook



PS Galvanized steel prepainted – Dusty grey – RAL 7037

INDEX	CHANGE	DATE	SIGNATURE	KJG QUALITY®	Scan code for 3D model	
MATERIAL BRAND			W.C.	WEIGHT kg	SCALE	
SIZE, SEMI-FINISHED PRODUCTS				STN STANDARD	SORTING NUMBER	
AUXILIARY EQUIPMENT				NOTE	POSITION NUMBER	
ELABORATED BY Ing. Kluska M.						
TESTED BY						
TECHNOLOGIST		TECHNOLOGIST		OLD DRAWING	DRAWING NUMBER	
NAME Ridge cap for metal roofing				Number of sheets	UNI-HRE	Sheet

Created: 07.06.2026 15:13:05

Technical changes reserved

Dimensions [mm]		
Length [m]	L	N
2,0	1925	6