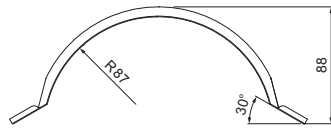
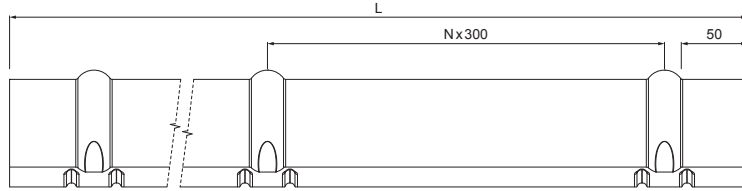


TECHNICAL SHEET

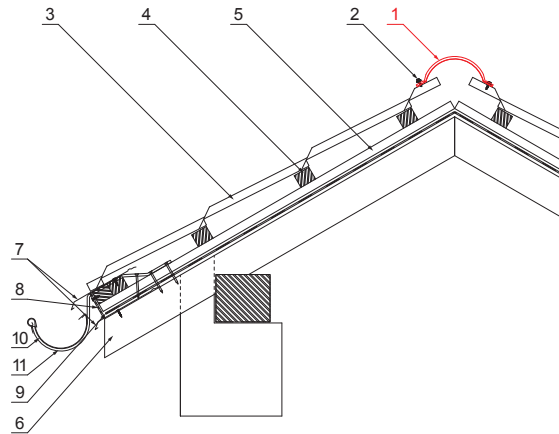
RIDGE CAP FOR METAL ROOFING

UNI-HRE



DETAIL:

- 1. ridge cap for metal roofing 2 m or 3 m covering width 1,864 m (2m) and 2,936 m (3m)
- 2. farmer screw 4,8x20
- 3. metal roofing
- 4. roof battens
- 5. battens
- 6. rafter
- 7. drip edge
- 8. protective ventilation belt
- 9. foil
- 10. gutter half-round
- 11. hook



BHT Galvanized steel prepainted – Grey aluminium – RAL 9007

| | | | | | | |
|------------------------------|--------|--------------|-----------|------------------------|------------------------|--|
| INDEX | CHANGE | DATE | SIGNATURE | KJG QUALITY® | Scan code for 3D model | |
| | | | | | | |
| MATERIAL BRAND | | | W.C. | WEIGHT kg | SCALE | |
| SIZE, SEMI-FINISHED PRODUCTS | | | | | STN STANDARD | |
| AUXILIARY EQUIPMENT | | | | | SORTING NUMBER | |
| ELABORATED BY Ing. Kluska M. | | | | | NOTE | |
| TESTED BY | | | | | POSITION NUMBER | |
| TECHNOLOGIST | | TECHNOLOGIST | | OLD DRAWING | DRAWING NUMBER | |
| NAME | | | | UNI-HRE | | |
| Ridge cap for metal roofing | | | | Number of sheets | Sheet | |

| Dimensions [mm] | | |
|-----------------|------|---|
| Length [m] | L | N |
| 2,0 | 1925 | 6 |

Created: 04.06.2026 14:21:25

Technical changes reserved