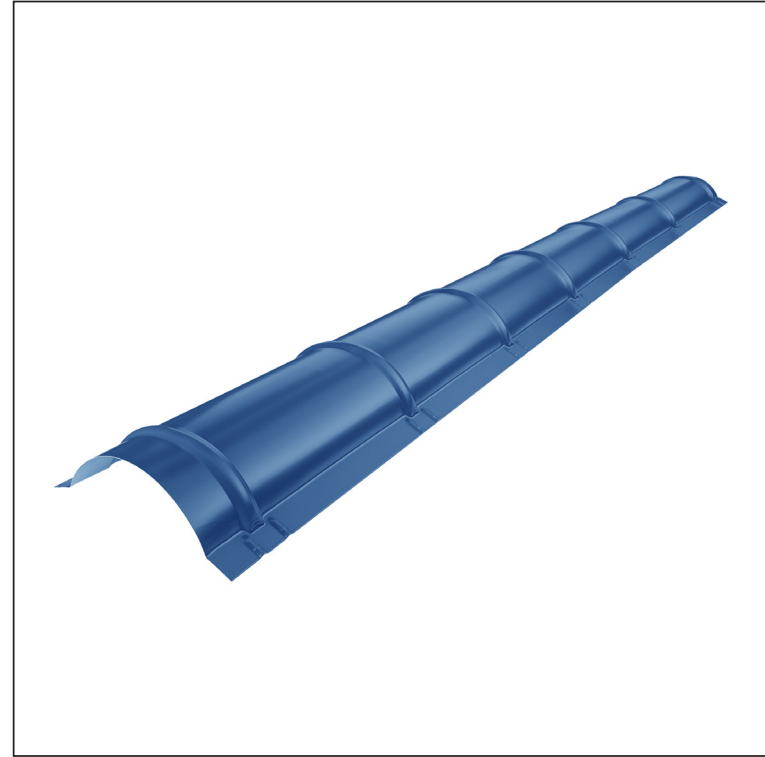
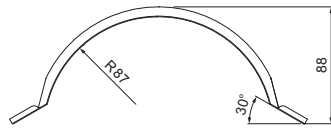
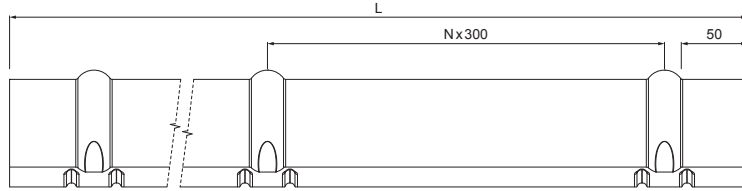


TECHNICAL SHEET

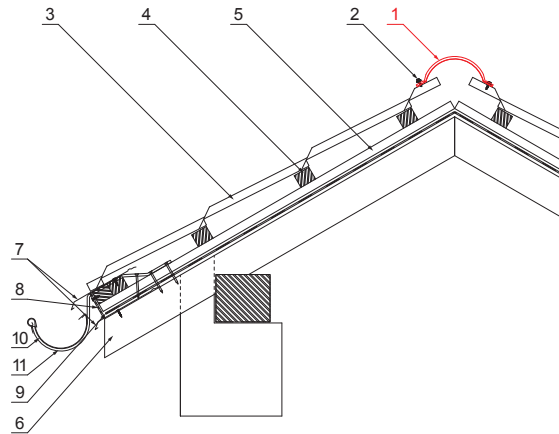
# RIDGE CAP FOR METAL ROOFING

# UNI-HRE



**DETAIL:**

- 1. ridge cap for metal roofing 2 m or 3 m covering width 1,864 m (2 m) and 2,936 m (3 m)
- 2. farmer screw 4,8x20
- 3. metal roofing
- 4. roof battens
- 5. battens
- 6. rafter
- 7. drip edge
- 8. protective ventilation belt
- 9. foil
- 10. gutter half-round
- 11. hook



**MOT** Galvanized steel pre-painted – Gentian blue – RAL 5010

INDEX	CHANGE	DATE	SIGNATURE	<b>KJG</b> QUALITY®	Scan code for 3D model
MATERIAL BRAND			W.C.	WEIGHT kg	SCALE
SIZE, SEMI-FINISHED PRODUCTS				STN STANDARD	SORTING NUMBER
AUXILIARY EQUIPMENT				NOTE	POSITION NUMBER
ELABORATED BY Ing. Kluska M.					
TESTED BY		TECHNOLOGIST		OLD DRAWING	DRAWING NUMBER
NAME Ridge cap for metal roofing				Number of sheets	UNI-HRE Sheet

Dimensions [mm]		
Length [m]	L	N
2,0	1925	6

Created: 06.06.2026 07:57:51

Technical changes reserved