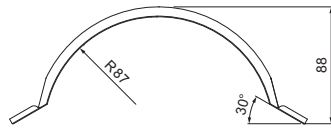
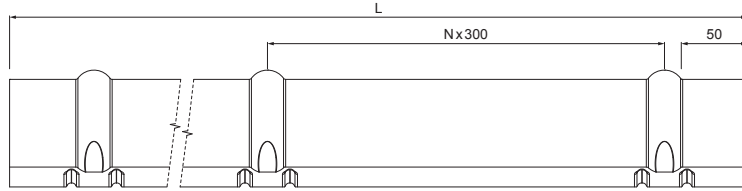


TECHNICAL SHEET

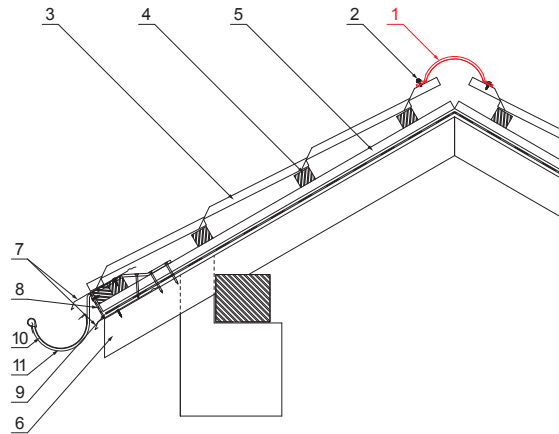
RIDGE CAP FOR METAL ROOFING

UNI-HRE



DETAIL:

- 1. ridge cap for metal roofing 2 m or 3 m covering width 1,864 m (2m) and 2,936 m (3m)
- 2. farmer screw 4,8x20
- 3. metal roofing
- 4. roof battens
- 5. battens
- 6. rafter
- 7. drip edge
- 8. protective ventilation belt
- 9. foil
- 10. gutter half-round
- 11. hook



ANM Galvanized steel pre-painted MATT – Anthracite MATT – RAL 7016

INDEX	CHANGE	DATE	SIGNATURE	KJG QUALITY®	Scan code for 3D model		
MATERIAL BRAND			W.C.	WEIGHT kg	SCALE		
SIZE, SEMI-FINISHED PRODUCTS			STN STANDARD		SORTING NUMBER		
AUXILIARY EQUIPMENT			NOTE		POSITION NUMBER		
ELABORATED BY Ing. Kluska M.							
TESTED BY		TECHNOLOGIST		OLD DRAWING	DRAWING NUMBER		
NAME				Number of sheets		UNI-HRE Sheet	
Ridge cap for metal roofing							

Dimensions [mm]		
Length [m]	L	N
2,0	1925	6
3,0	2825	9

Created: 07.06.2026 15:14:59

Technical changes reserved