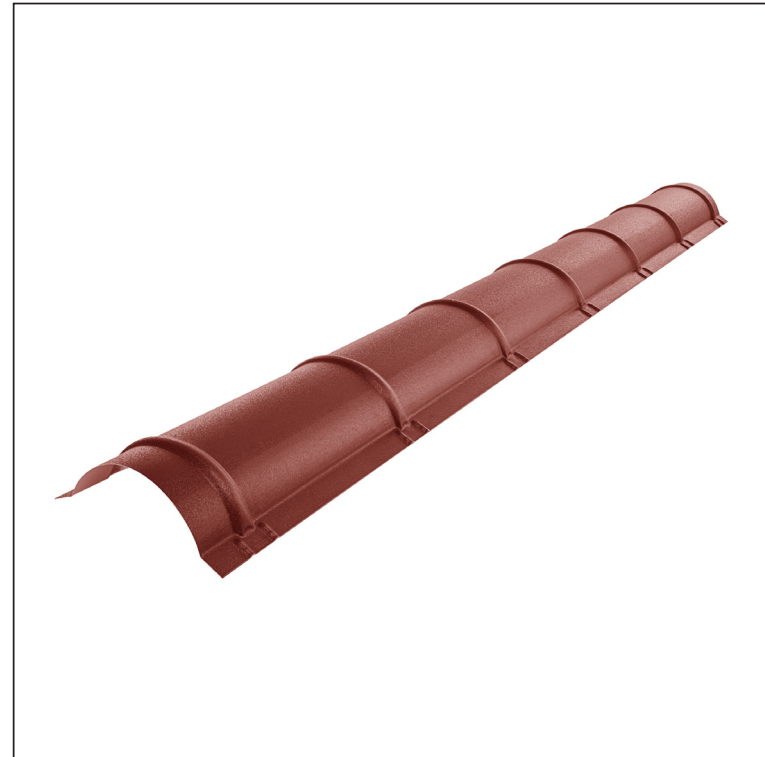
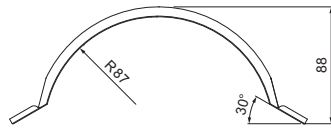
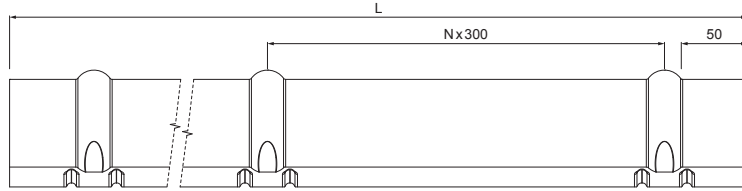


TECHNICAL SHEET

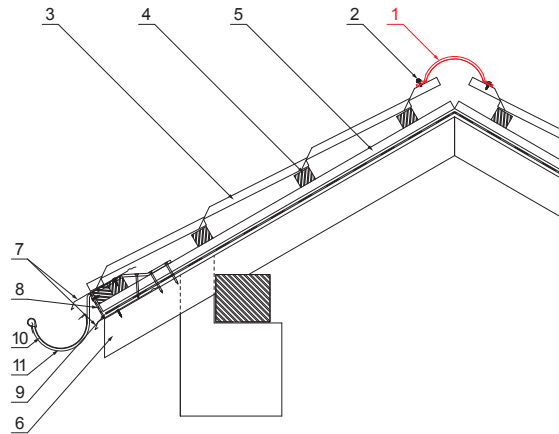
# RIDGE CAP FOR METAL ROOFING

# UNI-HRE



**DETAIL:**

- 1. ridge cap for metal roofing 2 m or 3 m covering width 1,864 m (2m) and 2,936 m (3m)
- 2. farmer screw 4,8x20
- 3. metal roofing
- 4. roof battens
- 5. battens
- 6. rafter
- 7. drip edge
- 8. protective ventilation belt
- 9. foil
- 10. gutter half-round
- 11. hook



**OCM** Galvanized steel prepainted MATT – Steel red MATT – RAL 3009

INDEX	CHANGE	DATE	SIGNATURE	<b>KJG</b> QUALITY®	Scan code for 3D model	
MATERIAL BRAND			W.C.	WEIGHT kg	SCALE	
SIZE, SEMI-FINISHED PRODUCTS				STN STANDARD	SORTING NUMBER	
AUXILIARY EQUIPMENT				NOTE	POSITION NUMBER	
ELABORATED BY Ing. Kluska M.						
TESTED BY				OLD DRAWING	DRAWING NUMBER	
TECHNOLOGIST			TECHNOLOGIST			
NAME			Ridge cap for metal roofing		Number of sheets	UNI-HRE Sheet

Dimensions [mm]		
Length [m]	L	N
2,0	1925	6
3,0	2825	9

Created: 06.06.2026 10:40:13

Technical changes reserved