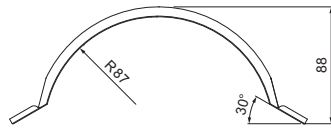
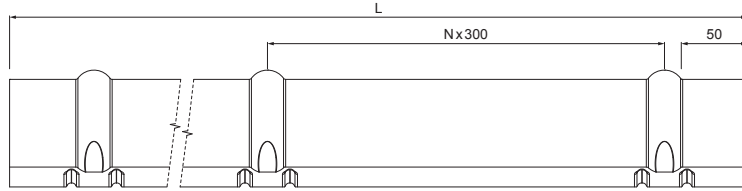


TECHNICAL SHEET

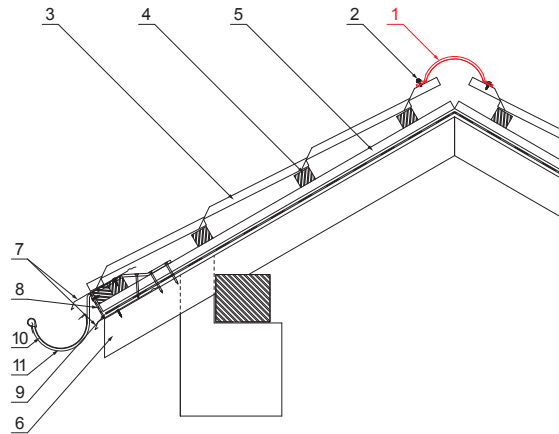
# RIDGE CAP FOR METAL ROOFING

# UNI-HRE



**DETAIL:**

- 1. ridge cap for metal roofing 2 m or 3 m covering width 1,864 m (2m) and 2,936 m (3m)
- 2. farmer screw 4,8x20
- 3. metal roofing
- 4. roof battens
- 5. batten
- 6. rafter
- 7. drip edge
- 8. protective ventilation belt
- 9. foil
- 10. gutter half-round
- 11. hook



**ICS** Galvanized steel pre-painted STUCCO – Intense black STUCCO – RAL 9005

INDEX	CHANGE	DATE	SIGNATURE	<b>KJG</b> QUALITY®	Scan code for 3D model	
MATERIAL BRAND			W.C.	WEIGHT kg	SCALE	
SIZE, SEMI-FINISHED PRODUCTS				STN STANDARD	SORTING NUMBER	
AUXILIARY EQUIPMENT				NOTE	POSITION NUMBER	
ELABORATED BY Ing. Kluska M.						
TESTED BY						
TECHNOLOGIST		TECHNOLOGIST		OLD DRAWING	DRAWING NUMBER	
NAME				UNI-HRE		
Ridge cap for metal roofing				Number of sheets		Sheet

Dimensions [mm]		
Length [m]	L	N
2,0	1925	6

Created: 07.06.2026 05:30:02

Technical changes reserved