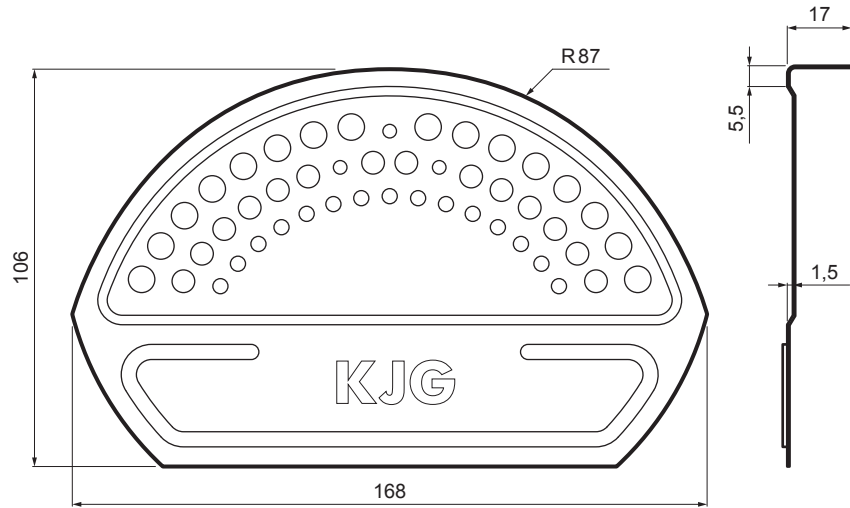


TECHNICAL SHEET

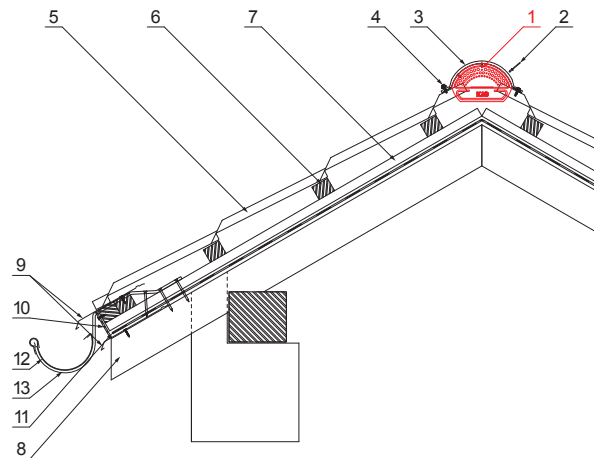
# RIDGE EDGE CAP

# UNI-UHCV







**DETAIL:**

- 1. ridge edge cap
- 2. rivet 3,2x8 (min. 3 pcs)
- 3. ridge cap for metal roofing
- 4. farmer screw 4,8x35
- 5. metal roofing
- 6. roof battens
- 7. battens
- 8. rafter
- 9. drip edge
- 10. protective ventilation belt
- 11. foil
- 12. gutter half-round
- 13. hook



**SB** Galvanized steel prepainted – Grey white – RAL 9002

INDEX	CHANGE	DATE	SIGNATURE			
MATERIAL BRAND			W.C.	WEIGHT kg	SCALE	
SIZE, SEMI-FINISHED PRODUCTS				STN STANDARD	SORTING NUMBER	
AUXILIARY EQUIPMENT				NOTE	POSITION NUMBER	
ELABORATED BY Ing. Kluska M.						
TESTED BY						
TECHNOLOGIST		TECHNOLOGIST		OLD DRAWING	DRAWING NUMBER	
NAME				UNI-UHCV		
Ridge edge cap				Number of sheets	Sheet 	

Created: 06.06.2026 14:43:23

Technical changes reserved