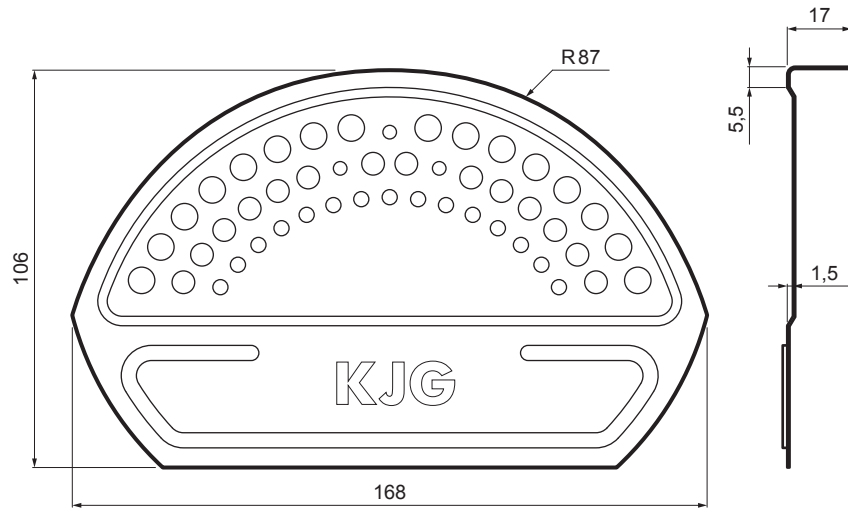


TECHNICAL SHEET

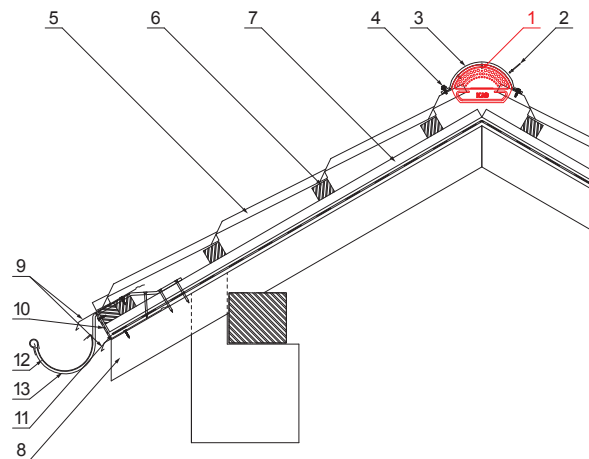
RIDGE EDGE CAP

UNI-UHCV



DETAIL:

- 1. ridge edge cap
- 2. rivet 3,2x8 (min. 3 pcs)
- 3. ridge cap for metal roofing
- 4. farmer screw 4,8x35
- 5. metal roofing
- 6. roof battens
- 7. battens
- 8. rafter
- 9. drip edge
- 10. protective ventilation belt
- 11. foil
- 12. gutter half-round
- 13. hook



PS Galvanized steel prepainted – Dusty grey – RAL 7037

INDEX	CHANGE	DATE	SIGNATURE	KJG QUALITY®	Scan code for 3D model	
MATERIAL BRAND			W.C.	WEIGHT kg	SCALE	
SIZE, SEMI-FINISHED PRODUCTS			STN STANDARD		SORTING NUMBER	
AUXILIARY EQUIPMENT			NOTE		POSITION NUMBER	
ELABORATED BY Ing. Kluska M.						
TESTED BY			OLD DRAWING		DRAWING NUMBER	
TECHNOLOGIST			TECHNOLOGIST			
NAME			Ridge edge cap		UNI-UHCV	
			Number of sheets		Sheet	

Created: 07.06.2026 15:05:19

Technical changes reserved