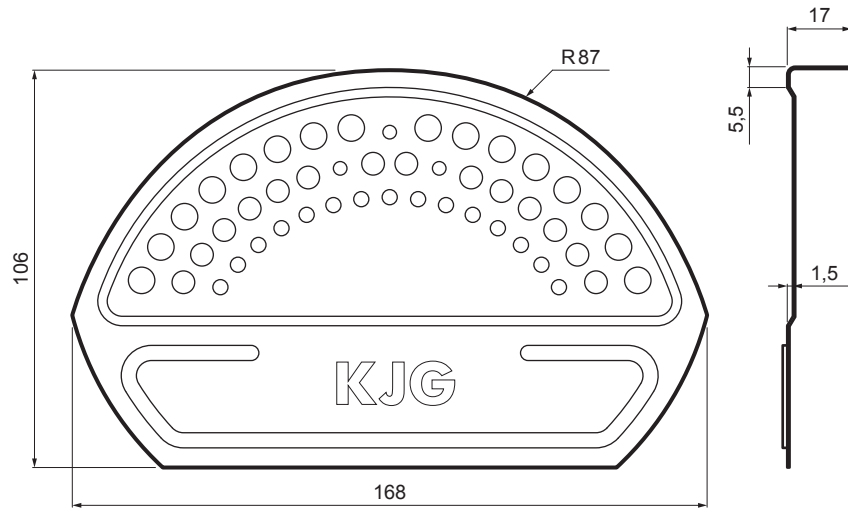


TECHNICAL SHEET

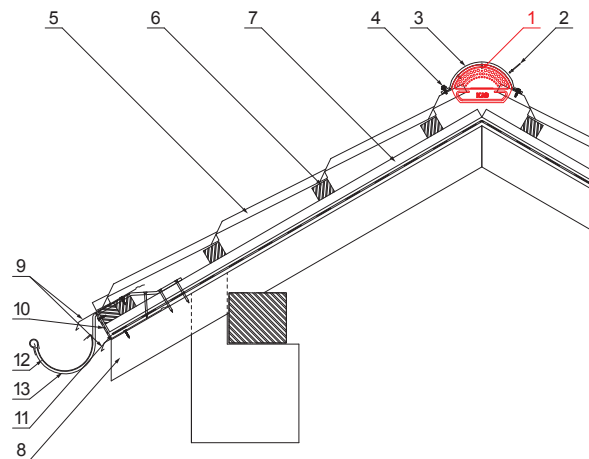
RIDGE EDGE CAP

UNI-UHCV







DETAIL:

- 1. ridge edge cap
- 2. rivet 3,2x8 (min. 3 pcs)
- 3. ridge cap for metal roofing
- 4. farmer screw 4,8x35
- 5. metal roofing
- 6. roof battens
- 7. battens
- 8. rafter
- 9. drip edge
- 10. protective ventilation belt
- 11. foil
- 12. gutter half-round
- 13. hook



MOT Galvanized steel prepainted – Gentian blue – RAL 5010

| | | | | | | |
|------------------------------|--------|--------------|-----------|---|---|---|
| INDEX | CHANGE | DATE | SIGNATURE |  |  |  |
| | | | | | | |
| MATERIAL BRAND | | | W.C. | WEIGHT kg | SCALE | |
| SIZE, SEMI-FINISHED PRODUCTS | | | | STN STANDARD | SORTING NUMBER | |
| AUXILIARY EQUIPMENT | | | | NOTE | POSITION NUMBER | |
| ELABORATED BY Ing. Kluska M. | | | | | | |
| TESTED BY | | | | | | |
| TECHNOLOGIST | | TECHNOLOGIST | | OLD DRAWING | DRAWING NUMBER | |
| NAME | | | | | | |
| Ridge edge cap | | | | Number of sheets | UNI-UHCV | |
| | | | | | Sheet |  |

Created: 05.06.2026 02:16:18

Technical changes reserved