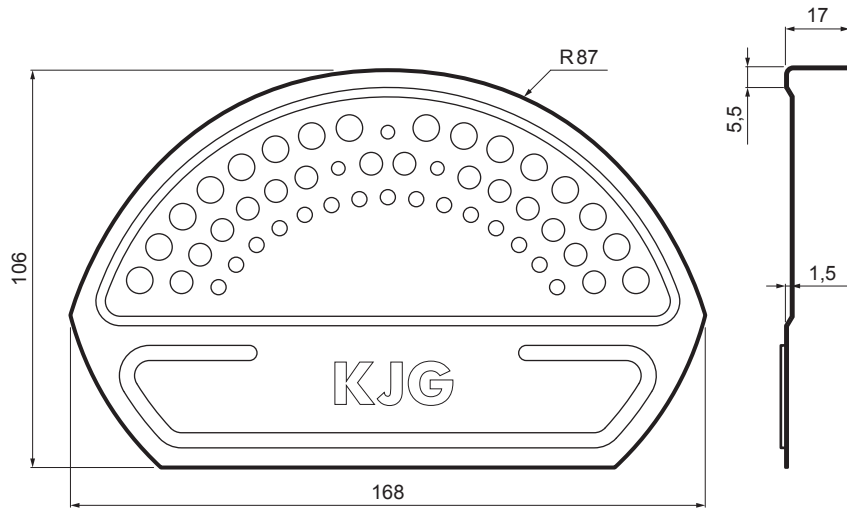


TECHNICAL SHEET

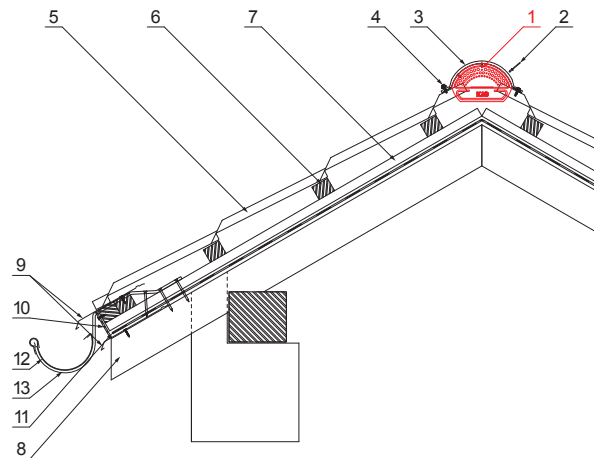
# RIDGE EDGE CAP

# UNI-UHCV



**DETAIL:**

- 1. ridge edge cap
- 2. rivet 3,2x8 (min. 3 pcs)
- 3. ridge cap for metal roofing
- 4. farmer screw 4,8x35
- 5. metal roofing
- 6. roof battens
- 7. battens
- 8. rafter
- 9. drip edge
- 10. protective ventilation belt
- 11. foil
- 12. gutter half-round
- 13. hook



**TMMS** Galvanized steel pre-painted MATT STUCCO – Testa di Moro MATT STUCCO – RAL 8028

INDEX	CHANGE	DATE	SIGNATURE	<b>KJG</b> QUALITY®	Scan code for 3D model	
MATERIAL BRAND			W.C.	WEIGHT kg	SCALE	
SIZE, SEMI-FINISHED PRODUCTS					STN STANDARD	
AUXILIARY EQUIPMENT					SORTING NUMBER	
ELABORATED BY Ing. Kluska M.					NOTE	
TESTED BY					POSITION NUMBER	
TECHNOLOGIST		TECHNOLOGIST		OLD DRAWING	DRAWING NUMBER	
NAME				Ridge edge cap		
				Number of sheets	UNI-UHCV	
					Sheet	

Created: 07.06.2026 04:55:57

Technical changes reserved