

TECHNICAL SHEET

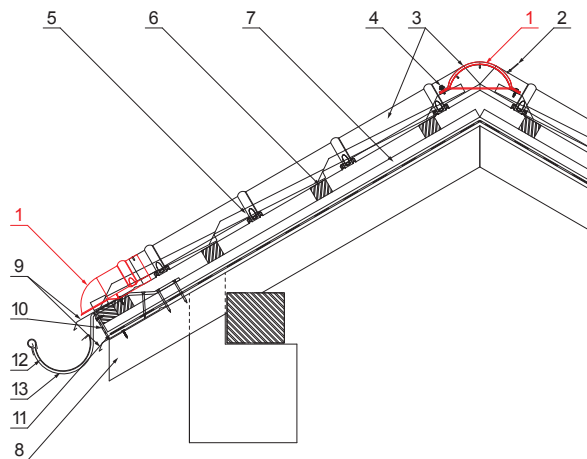
RIDGE EDGE CAP ROUNDED

UNI-UHO



DETAIL:

- 1. ridge edge cap rounded
- 2. rivet 3,2x8 (min. 3 pcs)
- 3. ridge cap for metal roofing
- 4. farmer screw 4,8x20
- 5. metal roofing
- 6. roof battens
- 7. battens
- 8. rafter
- 9. drip edge
- 10. protective ventilation belt
- 11. foil
- 12. gutter half-round
- 13. hook



Galvanized steel preprinted – Testa di Moro – RAL 8028

INDEX	CHANGE	DATE	SIGNATURE		
MATERIAL BRAND			W.C.	WEIGHT kg	SCALE
SIZE, SEMI-FINISHED PRODUCTS				STN STANDARD	SORTING NUMBER
AUXILIARY EQUIPMENT				NOTE	POSITION NUMBER
ELABORATED BY Ing. Kluska M.					
TESTED BY					
TECHNOLOGIST		TECHNOLOGIST		OLD DRAWING	DRAWING NUMBER
NAME			UNI-UHO		
Ridge edge cap rounded			Number of sheets		Sheet

Created: 21.04.2026 09:31:47

Technical changes reserved