

TECHNICAL SHEET

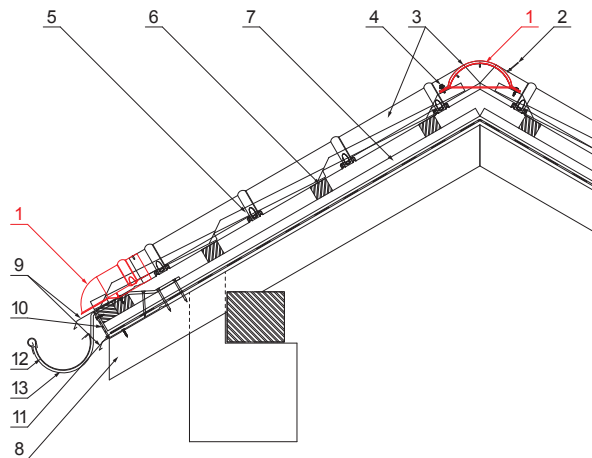
# RIDGE EDGE CAP ROUNDED

# UNI-UHO



**DETAIL:**

- 1. ridge edge cap rounded
- 2. rivet 3,2x8 (min. 3 pcs)
- 3. ridge cap for metal roofing
- 4. farmer screw 4,8x20
- 5. metal roofing
- 6. roof battens
- 7. battens
- 8. rafter
- 9. drip edge
- 10. protective ventilation belt
- 11. foil
- 12. gutter half-round
- 13. hook



**ANS** Galvanized steel pre-painted STUCCO – Anthracite STUCCO – RAL 7016

INDEX	CHANGE	DATE	SIGNATURE	<b>KJG</b> QUALITY®	Scan code for 3D model	
MATERIAL BRAND			W.C.	WEIGHT kg	SCALE	
SIZE, SEMI-FINISHED PRODUCTS				STN STANDARD	SORTING NUMBER	
AUXILIARY EQUIPMENT				NOTE	POSITION NUMBER	
ELABORATED BY Ing. Kluska M.						
TESTED BY						
TECHNOLOGIST		TECHNOLOGIST		OLD DRAWING	DRAWING NUMBER	
NAME				UNI-UHO		
Ridge edge cap rounded				Number of sheets	Sheet	

Created: 06.06.2026 00:29:48

Technical changes reserved