

TECHNICAL SHEET

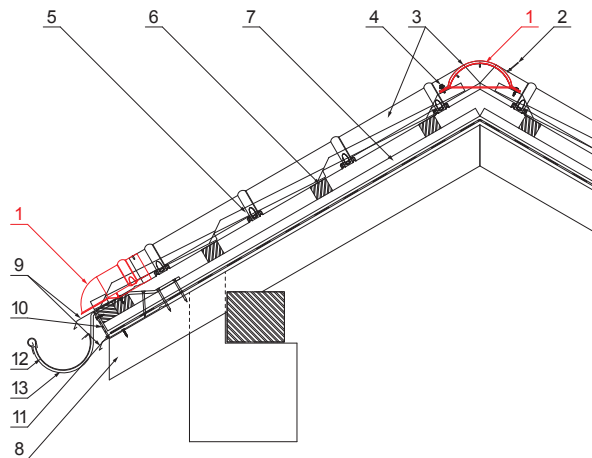
RIDGE EDGE CAP ROUNDED

UNI-UHO







DETAIL:

- 1. ridge edge cap rounded
- 2. rivet 3,2x8 (min. 3 pcs)
- 3. ridge cap for metal roofing
- 4. farmer screw 4,8x20
- 5. metal roofing
- 6. roof battens
- 7. battens
- 8. rafter
- 9. drip edge
- 10. protective ventilation belt
- 11. foil
- 12. gutter half-round
- 13. hook



ICS Galvanized steel prepainted STUCCO – Intense black STUCCO – RAL 9005

INDEX	CHANGE	DATE	SIGNATURE			
MATERIAL BRAND			W.C.	WEIGHT kg	SCALE	
SIZE, SEMI-FINISHED PRODUCTS				STN STANDARD	SORTING NUMBER	
AUXILIARY EQUIPMENT				NOTE	POSITION NUMBER	
ELABORATED BY Ing. Kluska M.						
TESTED BY						
TECHNOLOGIST		TECHNOLOGIST		OLD DRAWING	DRAWING NUMBER	
NAME				UNI-UHO		
Ridge edge cap rounded				Number of sheets	Sheet 	

Created: 04.06.2026 05:23:42

Technical changes reserved