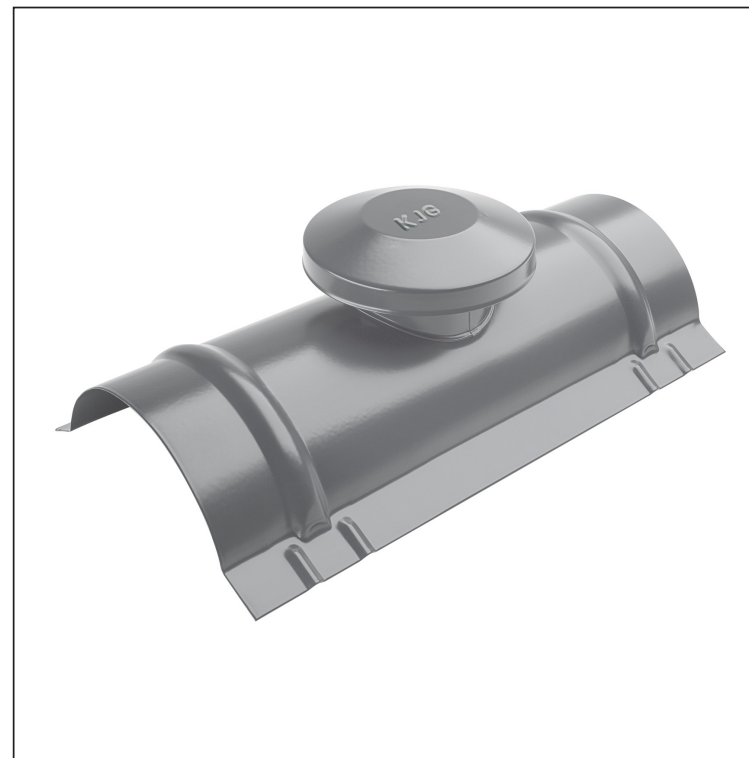
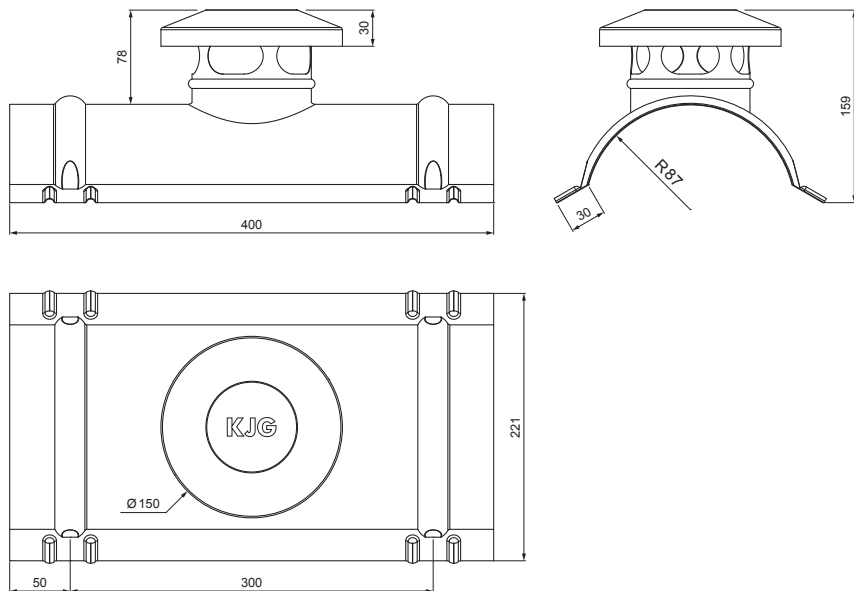


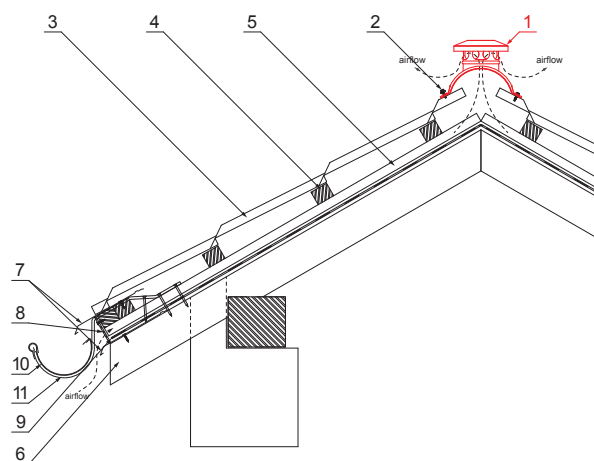
TECHNICKÝ LIST SNOW STOPPER

UNI-HRVE







DETAIL:

1. snow stopper
2. farmer screw 4,8x20
3. metal roofing
4. roof battens
5. battens
6. rafter
7. drip edge
8. protective ventilation belt
9. foil
10. gutter half-round
11. hook



PS Galvanized steel prepainted – Dusty grey – RAL 7037

INDEX	CHANGE	DATE	SIGNATURE			
MATERIAL BRAND			W.C.	WEIGHT kg	SCALE	
SIZE, SEMI-FINISHED PRODUCTS				STN STANDARD	SORTING NUMBER	
AUXILIARY EQUIPMENT				NOTE	POSITION NUMBER	
ELABORATED BY Ing. Kluska M.						
TESTED BY						
TECHNOLOGIST		TECHNOLOGIST		OLD DRAWING	DRAWING NUMBER	
NAME						
Snow stopper				Number of sheets	UNI-HRVE	
					Sheet	

Created: 05.06.2026 06:28:35

Technical changes reserved