

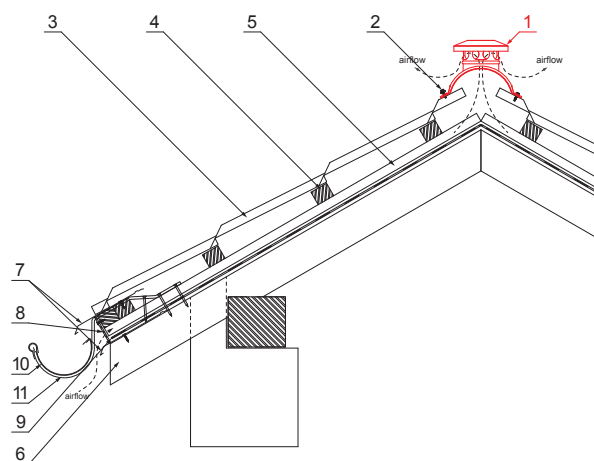
TECHNICKÝ LIST SNOW STOPPER

UNI-HRVE



DETAIL:

1. snow stopper
2. farmer screw 4,8x20
3. metal roofing
4. roof battens
5. battens
6. rafter
7. drip edge
8. protective ventilation belt
9. foil
10. gutter half-round
11. hook



TZ Galvanized steel prepainted – Reseda green – RAL 6011

INDEX	CHANGE	DATE	SIGNATURE	KJG QUALITY®	Scan code for 3D model	
MATERIAL BRAND			W.C.	WEIGHT kg	SCALE	
SIZE, SEMI-FINISHED PRODUCTS				STN STANDARD	SORTING NUMBER	
AUXILIARY EQUIPMENT				NOTE	POSITION NUMBER	
ELABORATED BY Ing. Kluska M.						
TESTED BY						
TECHNOLOGIST		TECHNOLOGIST		OLD DRAWING	DRAWING NUMBER	
NAME			Snow stopper		Number of sheets	UNI-HRVE Sheet

Created: 06.06.2026 08:22:45

Technical changes reserved