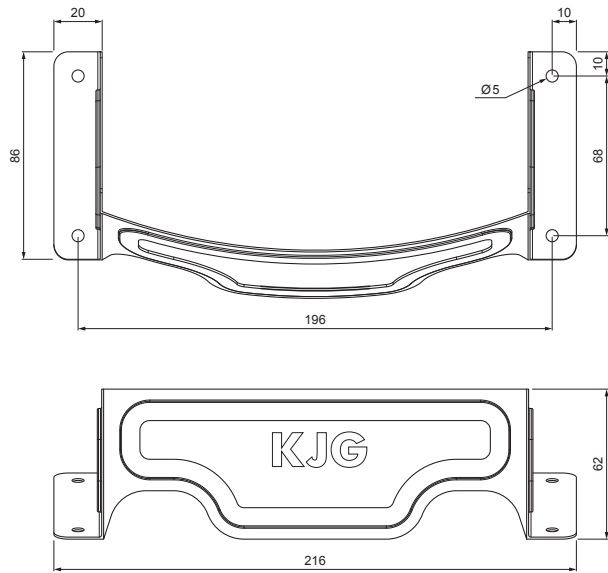


TECHNICAL SHEET

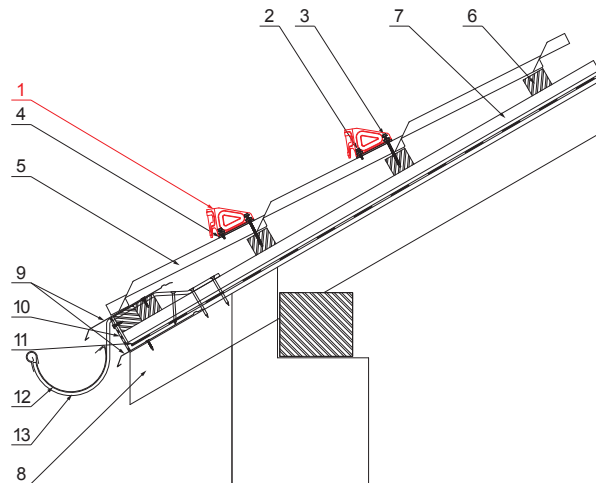
SNOW STOPPER ARCHED

UNI-ZSO



DETAIL:

- 1. snow stopper arched
- 2. farmer screw 4,8x35
- 3. farmer screw 4,8x60
- 4. EPDM tesnenie 20x86x3
- 5. metal roofing
- 6. roof battens
- 7. battens
- 8. rafter
- 9. drip edge
- 10. protective ventilation belt
- 11. foil
- 12. gutter half-round
- 13. hook



OC Galvanized steel pre-painted – Steel red – RAL 3009

INDEX	CHANGE	DATE	SIGNATURE	KJG QUALITY®	Scan code for 3D model
MATERIAL BRAND			W.C.	WEIGHT kg	SCALE
SIZE, SEMI-FINISHED PRODUCTS				STN STANDARD	SORTING NUMBER
AUXILIARY EQUIPMENT				NOTE	POSITION NUMBER
ELABORATED BY Ing. Kluska M.					
TESTED BY					
TECHNOLOGIST		TECHNOLOGIST		OLD DRAWING	DRAWING NUMBER
NAME Snow stopper arched				Number of sheets	UNI-ZSO Sheet

Created: 07.06.2026 09:06:23

Technical changes reserved