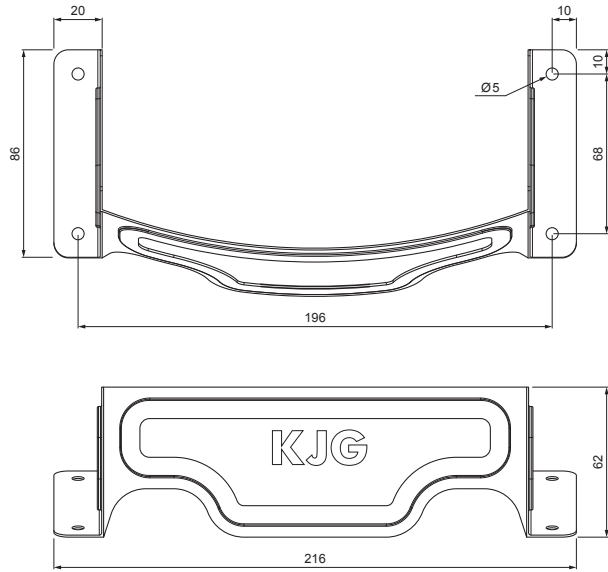


TECHNICAL SHEET

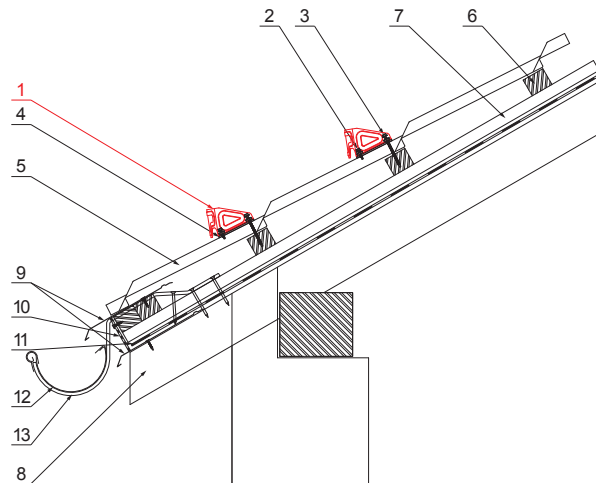
SNOW STOPPER ARCHED

UNI-ZSO



DETAIL:

- 1. snow stopper arched
- 2. farmer screw 4,8x35
- 3. farmer screw 4,8x60
- 4. EPDM tesnenie 20x86x3
- 5. metal roofing
- 6. roof battens
- 7. battens
- 8. rafter
- 9. drip edge
- 10. protective ventilation belt
- 11. foil
- 12. gutter half-round
- 13. hook



MH Galvanized steel prepainted – Copper brown – RAL 8004

INDEX	CHANGE	DATE	SIGNATURE	KJG QUALITY®	Scan code for 3D model	
MATERIAL BRAND			W.C.	WEIGHT kg	SCALE	
SIZE, SEMI-FINISHED PRODUCTS				STN STANDARD	SORTING NUMBER	
AUXILIARY EQUIPMENT				NOTE	POSITION NUMBER	
ELABORATED BY Ing. Kluska M.						
TESTED BY						
TECHNOLOGIST		TECHNOLOGIST		OLD DRAWING	DRAWING NUMBER	
NAME Snow stopper arched				Number of sheets	UNI-ZSO	Sheet

Created: 21.04.2026 15:30:57

Technical changes reserved