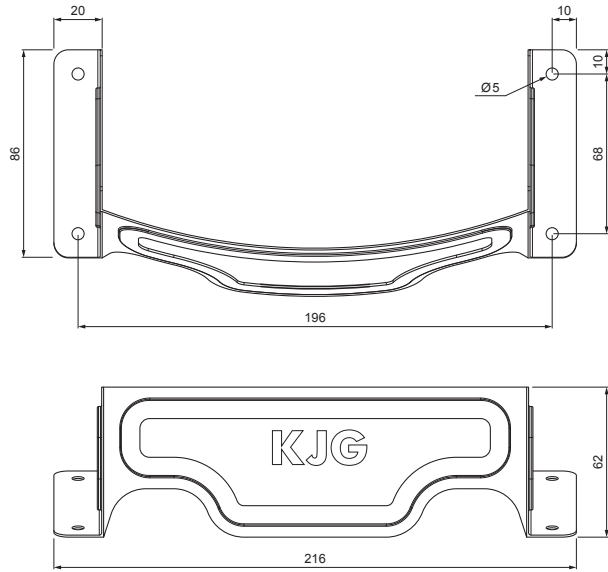


TECHNICAL SHEET

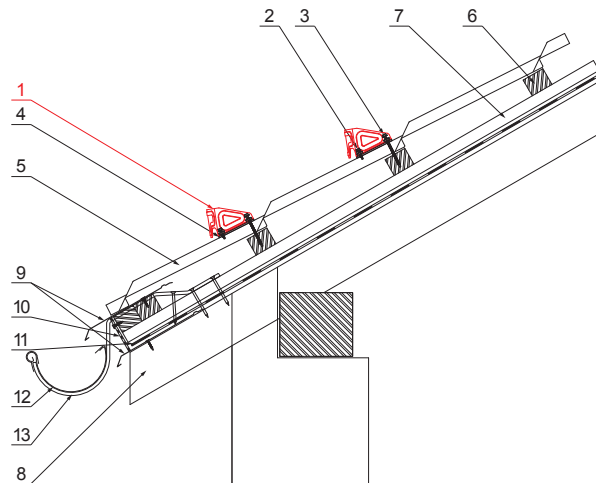
# SNOW STOPPER ARCHED

# UNI-ZSO







**DETAIL:**

- 1. snow stopper arched
- 2. farmer screw 4,8x35
- 3. farmer screw 4,8x60
- 4. EPDM tesnenie 20x86x3
- 5. metal roofing
- 6. roof battens
- 7. battens
- 8. rafter
- 9. drip edge
- 10. protective ventilation belt
- 11. foil
- 12. gutter half-round
- 13. hook



**SB** Galvanized steel prepainted – Grey white – RAL 9002

INDEX	CHANGE	DATE	SIGNATURE			
MATERIAL BRAND			W.C.	WEIGHT kg	SCALE	
SIZE, SEMI-FINISHED PRODUCTS			STN STANDARD		SORTING NUMBER	
AUXILIARY EQUIPMENT			NOTE		POSITION NUMBER	
ELABORATED BY Ing. Kluska M.						
TESTED BY						
TECHNOLOGIST		TECHNOLOGIST	OLD DRAWING		DRAWING NUMBER	
NAME			Snow stopper arched		UNI-ZSO	
			Number of sheets		Sheet 	

Created: 06.06.2026 15:52:51

Technical changes reserved