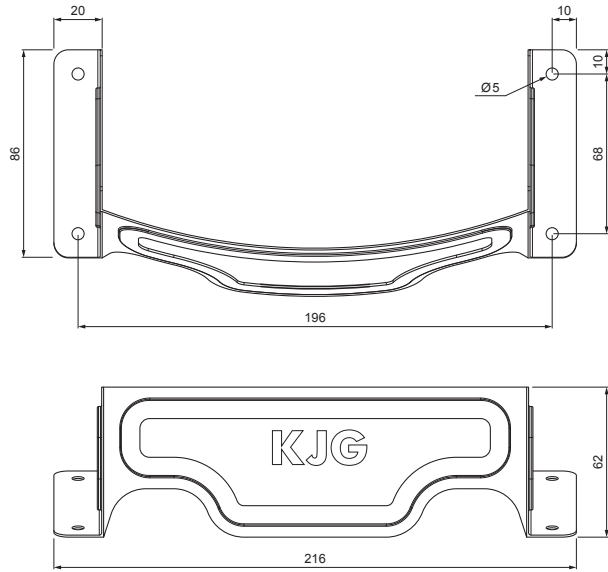


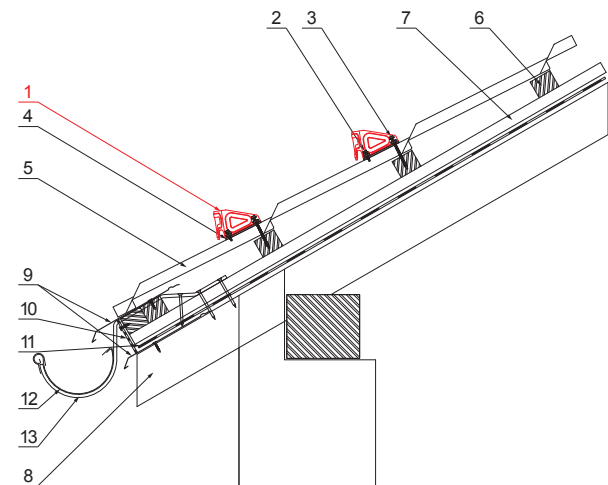
TECHNICAL SHEET

SNOW STOPPER ARCHED

UNI-ZSO



- DETAIL:**
1. snow stopper arched
 2. farmer screw 4,8x35
 3. farmer screw 4,8x60
 4. EPDM tesnenie 20x86x3
 5. metal roofing
 6. roof battens
 7. battens
 8. rafter
 9. drip edge
 10. protective ventilation belt
 11. foil
 12. gutter half-round
 13. hook



MM Galvanized steel prepainted – Metallic copper – RAL extra

INDEX	CHANGE	DATE	SIGNATURE	KJG QUALITY®	Scan code for 3D model	
MATERIAL BRAND			W.C.	WEIGHT kg	SCALE	
SIZE, SEMI-FINISHED PRODUCTS				STN STANDARD	SORTING NUMBER	
AUXILIARY EQUIPMENT				NOTE	POSITION NUMBER	
ELABORATED BY Ing. Kluska M.						
TESTED BY						
TECHNOLOGIST		TECHNOLOGIST		OLD DRAWING	DRAWING NUMBER	
NAME						
Snow stopper arched				Number of sheets	UNI-ZSO	Sheet

Created: 07.06.2026 13:25:52

Technical changes reserved