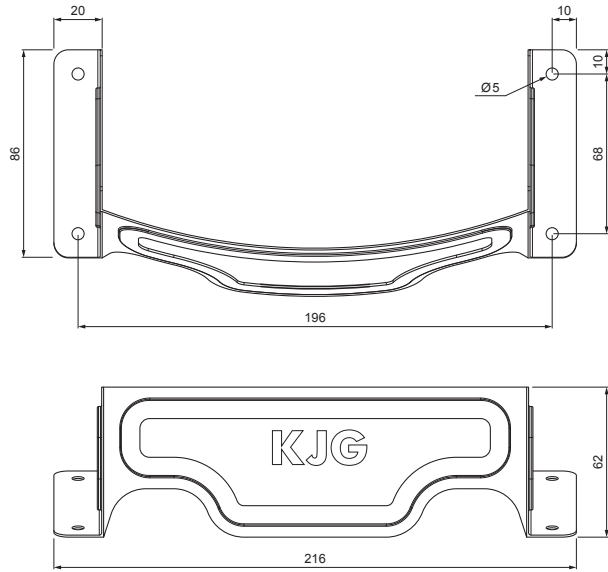


TECHNICAL SHEET

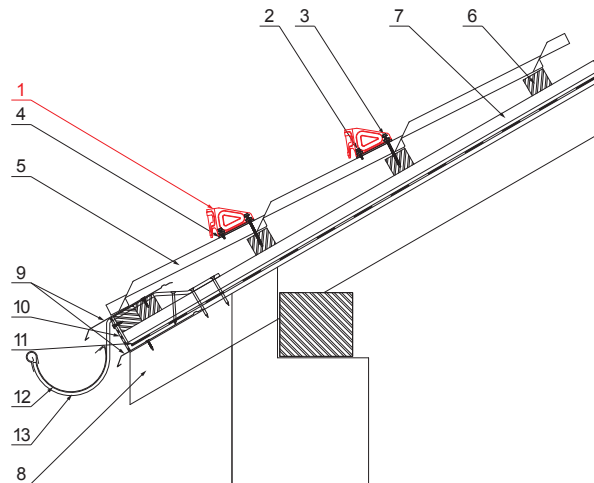
SNOW STOPPER ARCHED

UNI-ZSO



DETAIL:

- 1. snow stopper arched
- 2. farmer screw 4,8x35
- 3. farmer screw 4,8x60
- 4. EPDM tesnenie 20x86x3
- 5. metal roofing
- 6. roof battens
- 7. battens
- 8. rafter
- 9. drip edge
- 10. protective ventilation belt
- 11. foil
- 12. gutter half-round
- 13. hook



RC Galvanized steel prepainted – Rally red – RAL 3020

| | | | | | |
|------------------------------|--------|------|---------------------|------------------------|------------------------|
| INDEX | CHANGE | DATE | SIGNATURE | KJG QUALITY® | Scan code for 3D model |
| | | | | | |
| MATERIAL BRAND | | | W.C. | WEIGHT kg | SCALE |
| SIZE, SEMI-FINISHED PRODUCTS | | | | STN STANDARD | SORTING NUMBER |
| AUXILIARY EQUIPMENT | | | | NOTE | POSITION NUMBER |
| ELABORATED BY Ing. Kluska M. | | | | | |
| TESTED BY | | | | OLD DRAWING | DRAWING NUMBER |
| TECHNOLOGIST | | | TECHNOLOGIST | | |
| NAME | | | Snow stopper arched | | |
| | | | Number of sheets | UNI-ZSO | Sheet |

Created: 07.06.2026 05:30:01

Technical changes reserved