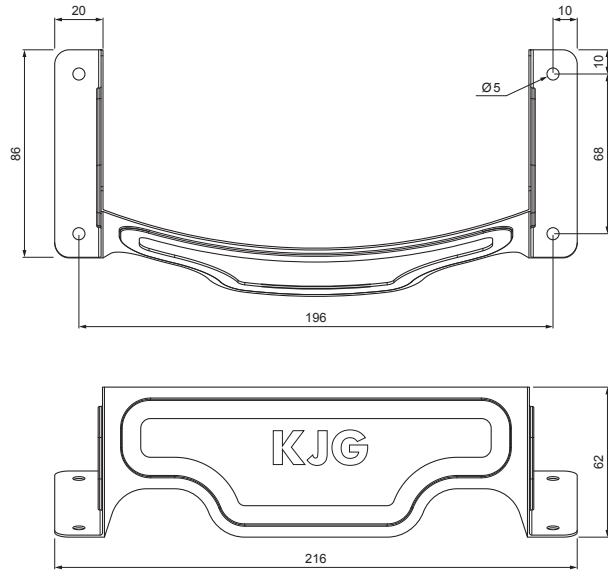


TECHNICAL SHEET

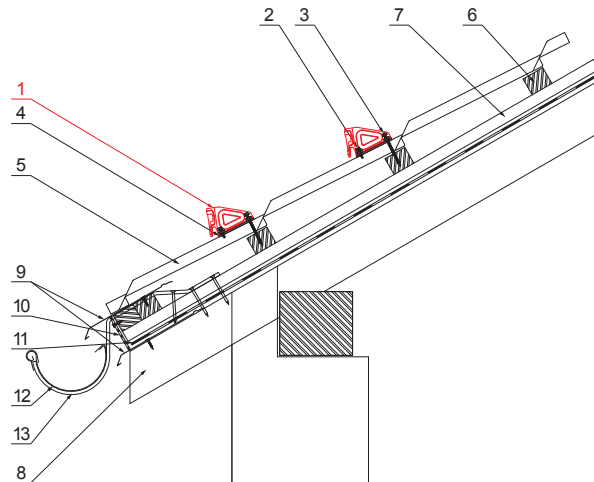
SNOW STOPPER ARCHED

UNI-ZSO



DETAIL:

- 1. snow stopper arched
- 2. farmer screw 4,8x35
- 3. farmer screw 4,8x60
- 4. EPDM tesnenie 20x86x3
- 5. metal roofing
- 6. roof battens
- 7. battens
- 8. rafter
- 9. drip edge
- 10. protective ventilation belt
- 11. foil
- 12. gutter half-round
- 13. hook



ICM Galvanized steel preprinted MATT – Intense black MATT – RAL 9005

INDEX	CHANGE	DATE	SIGNATURE	KJG QUALITY®	Scan code for 3D model	
MATERIAL BRAND			W.C.	WEIGHT kg	SCALE	
SIZE, SEMI-FINISHED PRODUCTS			STN STANDARD		SORTING NUMBER	
AUXILIARY EQUIPMENT			NOTE		POSITION NUMBER	
ELABORATED BY Ing. Kluska M.			OLD DRAWING		DRAWING NUMBER	
TESTED BY			TECHNOLOGIST		DRAWING NUMBER	
TECHNOLOGIST			NAME		DRAWING NUMBER	
NAME			Snow stopper arched		UNI-ZSO	
			Number of sheets		Sheet	

Created: 06.06.2026 00:29:21

Technical changes reserved