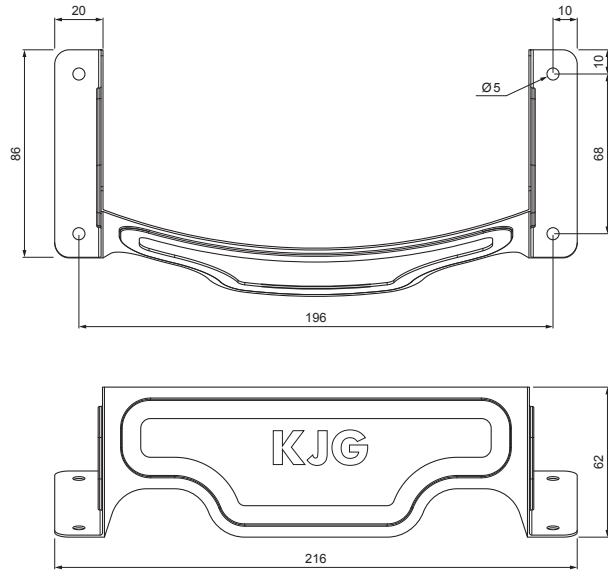


TECHNICAL SHEET

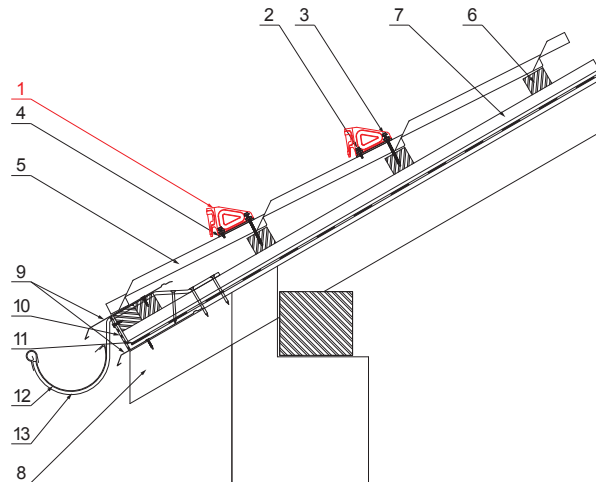
SNOW STOPPER ARCHED

UNI-ZSO



DETAIL:

- 1. snow stopper arched
- 2. farmer screw 4,8x35
- 3. farmer screw 4,8x60
- 4. EPDM tesnenie 20x86x3
- 5. metal roofing
- 6. roof battens
- 7. battens
- 8. rafter
- 9. drip edge
- 10. protective ventilation belt
- 11. foil
- 12. gutter half-round
- 13. hook



MHM Galvanized steel preprinted MATT – Copper brown MATT – RAL 8004

| | | | | | | |
|------------------------------|--------|--------------|-----------|------------------------|------------------------|-------|
| INDEX | CHANGE | DATE | SIGNATURE | KJG QUALITY® | Scan code for 3D model | |
| | | | | | | |
| MATERIAL BRAND | | | W.C. | WEIGHT kg | SCALE | |
| SIZE, SEMI-FINISHED PRODUCTS | | | | STN STANDARD | SORTING NUMBER | |
| AUXILIARY EQUIPMENT | | | | NOTE | POSITION NUMBER | |
| ELABORATED BY Ing. Kluska M. | | | | | | |
| TESTED BY | | | | | | |
| TECHNOLOGIST | | TECHNOLOGIST | | OLD DRAWING | DRAWING NUMBER | |
| NAME Snow stopper arched | | | | Number of sheets | UNI-ZSO | Sheet |

Created: 05.06.2026 09:37:06

Technical changes reserved