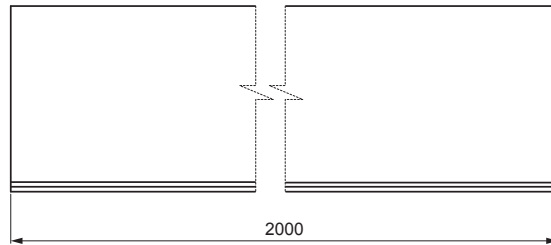
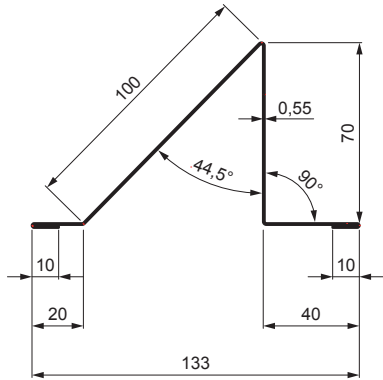


TECHNICAL SHEET

SNOW STOPPER

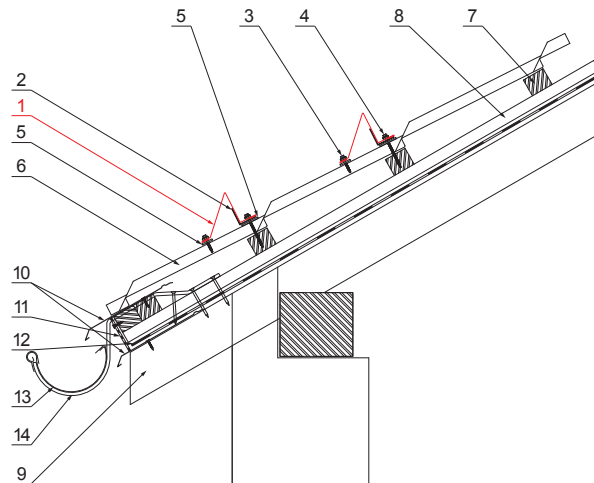
UNI-ZS







MZ Galvanized steel pre-painted – Moss green – RAL 6005

DETAIL:

- 1. snow stopper
- 2. reinforcement of snow stopper
- 3. farmer screw 4,8x35
- 4. farmer screw 4,8x60
- 5. EPDM gasket 25x40x3
- 6. metal roofing
- 7. roof battens
- 8. battens
- 9. rafter
- 10. drip edge
- 11. protective ventilation belt
- 12. foil
- 13. gutter half-round
- 14. hook



INDEX	CHANGE	DATE	SIGNATURE			
MATERIAL BRAND			W.C.	WEIGHT kg	SCALE	
SIZE, SEMI-FINISHED PRODUCTS			STN STANDARD		SORTING NUMBER	
AUXILIARY EQUIPMENT			NOTE		POSITION NUMBER	
ELABORATED BY Ing. Kluska M.			OLD DRAWING		DRAWING NUMBER	
TESTED BY			TECHNOLOGIST		DRAWING NUMBER	
TECHNOLOGIST			TECHNOLOGIST		DRAWING NUMBER	
NAME			Snow stopper		UNI-ZS	
			Number of sheets		Sheet 	

Created: 05.06.2026 21:01:17

Technical changes reserved