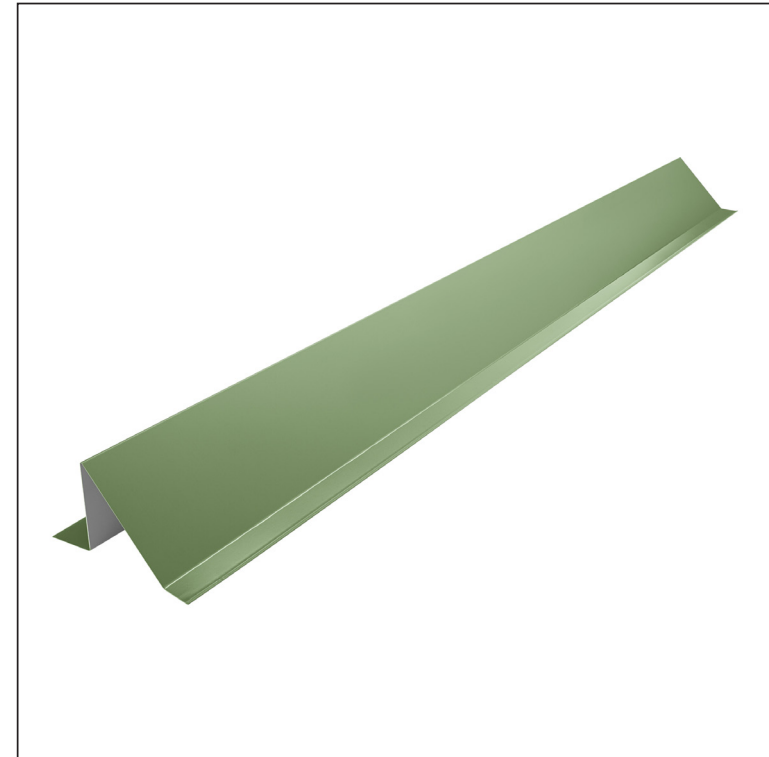
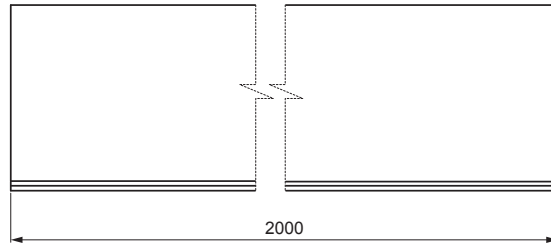
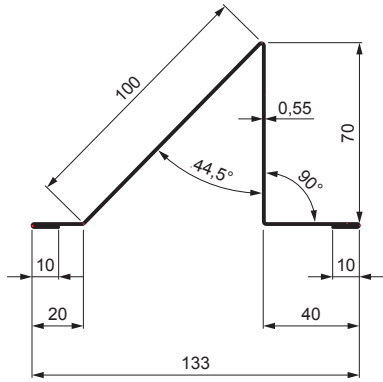


TECHNICAL SHEET

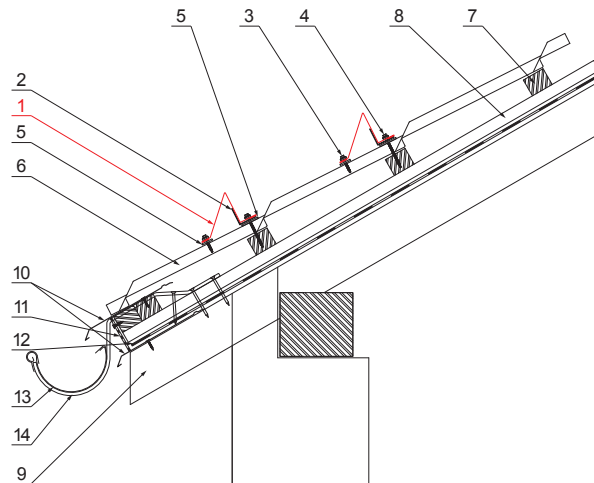
SNOW STOPPER

UNI-ZS






DETAIL:

1. snow stopper
2. reinforcement of snow stopper
3. farmer screw 4,8x35
4. farmer screw 4,8x60
5. EPDM gasket 25x40x3
6. metal roofing
7. roof battens
8. battens
9. rafter
10. drip edge
11. protective ventilation belt
12. foil
13. gutter half-round
14. hook



TZ Galvanized steel prepainted – Reseda green – RAL 6011

INDEX	CHANGE	DATE	SIGNATURE			
MATERIAL BRAND			W.C.	WEIGHT kg	SCALE	
SIZE, SEMI-FINISHED PRODUCTS			STN STANDARD		SORTING NUMBER	
AUXILIARY EQUIPMENT			NOTE		POSITION NUMBER	
ELABORATED BY Ing. Kluska M.			OLD DRAWING		DRAWING NUMBER	
TESTED BY			TECHNOLOGIST		DRAWING NUMBER	
TECHNOLOGIST			NAME		NAME	
			Snow stopper		UNI-ZS	
			Number of sheets		Sheet	

Created: 04.06.2026 23:11:05

Technical changes reserved