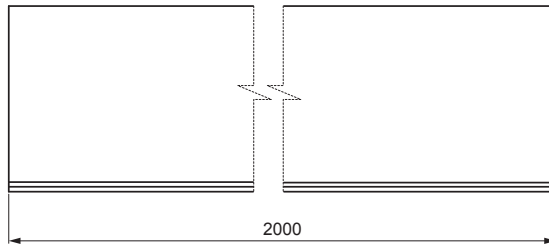
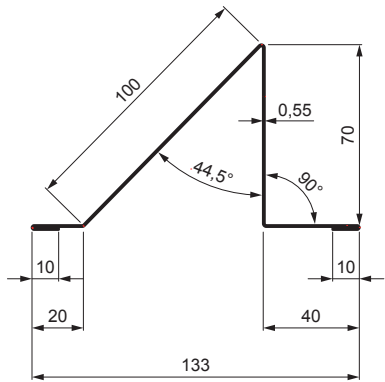


TECHNICAL SHEET

SNOW STOPPER

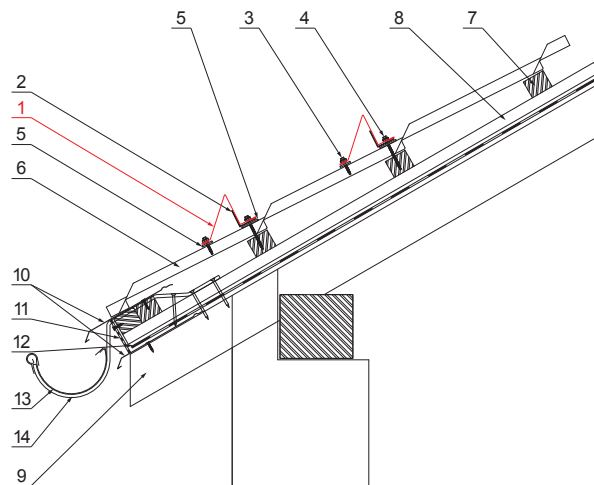
UNI-ZS



SK Galvanized steel pre-painted – Ivory – RAL 1015

DETAIL:

- 1. snow stopper
- 2. reinforcement of snow stopper
- 3. farmer screw 4,8x35
- 4. farmer screw 4,8x60
- 5. EPDM gasket 25x40x3
- 6. metal roofing
- 7. roof battens
- 8. battens
- 9. rafter
- 10. drip edge
- 11. protective ventilation belt
- 12. foil
- 13. gutter half-round
- 14. hook



INDEX	CHANGE	DATE	SIGNATURE	KJG QUALITY®	Scan code for 3D model	
MATERIAL BRAND			W.C.	WEIGHT kg	SCALE	
SIZE, SEMI-FINISHED PRODUCTS			STN STANDARD		SORTING NUMBER	
AUXILIARY EQUIPMENT			NOTE		POSITION NUMBER	
ELABORATED BY Ing. Kluska M.			OLD DRAWING		DRAWING NUMBER	
TESTED BY			TECHNOLOGIST		DRAWING NUMBER	
TECHNOLOGIST			NAME		DRAWING NUMBER	
			Snow stopper		UNI-ZS	
			Number of sheets		Sheet	

Created: 07.06.2026 08:42:24

Technical changes reserved