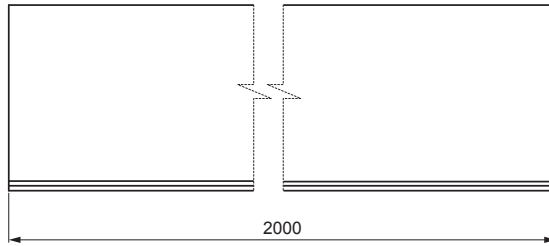
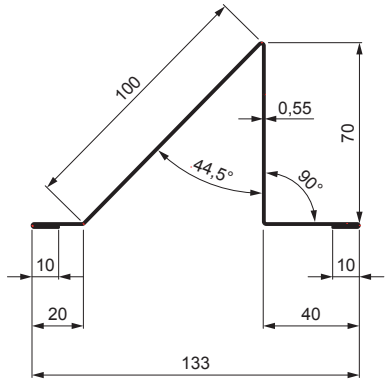


TECHNICAL SHEET

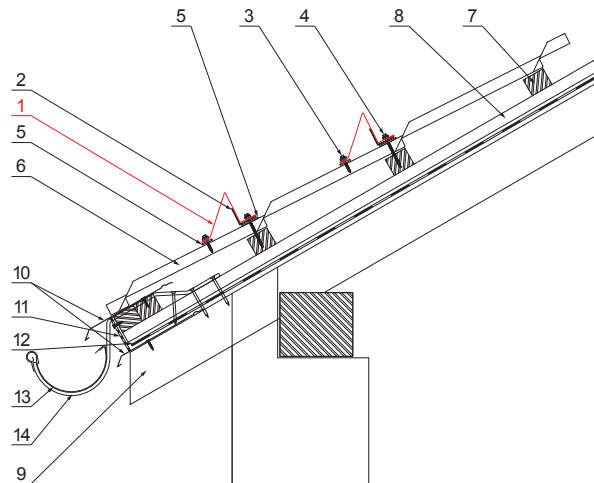
SNOW STOPPER

UNI-ZS



DETAIL:

1. snow stopper
2. reinforcement of snow stopper
3. farmer screw 4,8x35
4. farmer screw 4,8x60
5. EPDM gasket 25x40x3
6. metal roofing
7. roof battens
8. battens
9. rafter
10. drip edge
11. protective ventilation belt
12. foil
13. gutter half-round
14. hook



ANS Galvanized steel pre-painted STUCCO – Anthracite STUCCO – RAL 7016

INDEX	CHANGE	DATE	SIGNATURE	KJG QUALITY®	Scan code for 3D model	
MATERIAL BRAND			W.C.	WEIGHT kg	SCALE	
SIZE, SEMI-FINISHED PRODUCTS				STN STANDARD	SORTING NUMBER	
AUXILIARY EQUIPMENT				NOTE	POSITION NUMBER	
ELABORATED BY Ing. Kluska M.						
TESTED BY						
TECHNOLOGIST		TECHNOLOGIST		OLD DRAWING	DRAWING NUMBER	
NAME Snow stopper				Number of sheets	UNI-ZS Sheet	

Created: 06.06.2026 06:57:24

Technical changes reserved