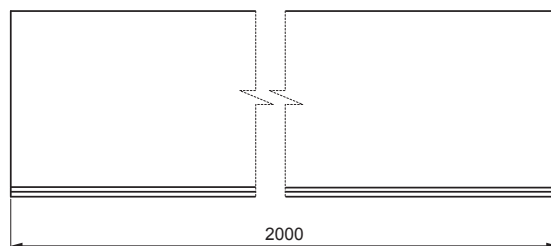
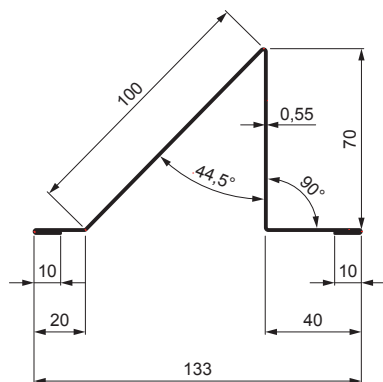


TECHNICAL SHEET

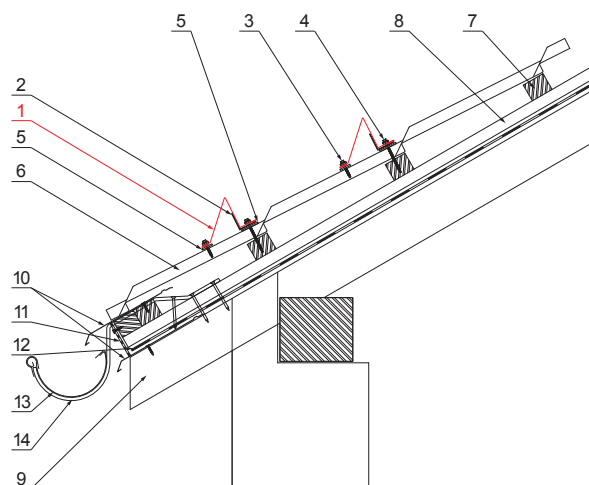
SNOW STOPPER

UNI-ZS






DETAIL:

- 1. snow stopper
- 2. reinforcement of snow stopper
- 3. farmer screw 4,8x35
- 4. farmer screw 4,8x60
- 5. EPDM gasket 25x40x3
- 6. metal roofing
- 7. roof battens
- 8. battens
- 9. rafter
- 10. drip edge
- 11. protective ventilation belt
- 12. foil
- 13. gutter half-round
- 14. hook



ANMS Galvanized steel prepainted MATT STUCCO – Anthracite MATT STUCCO – RAL 7016

INDEX	CHANGE	DATE	SIGNATURE			
MATERIAL BRAND			W.C.	WEIGHT kg	SCALE	
SIZE, SEMI-FINISHED PRODUCTS				STN STANDARD	SORTING NUMBER	
AUXILIARY EQUIPMENT				NOTE	POSITION NUMBER	
ELABORATED BY Ing. Kluska M.						
TESTED BY						
TECHNOLOGIST		TECHNOLOGIST		OLD DRAWING	DRAWING NUMBER	
NAME				UNI-ZS		
Snow stopper				Number of sheets	Sheet	

Created: 07.06.2026 08:16:13

Technical changes reserved