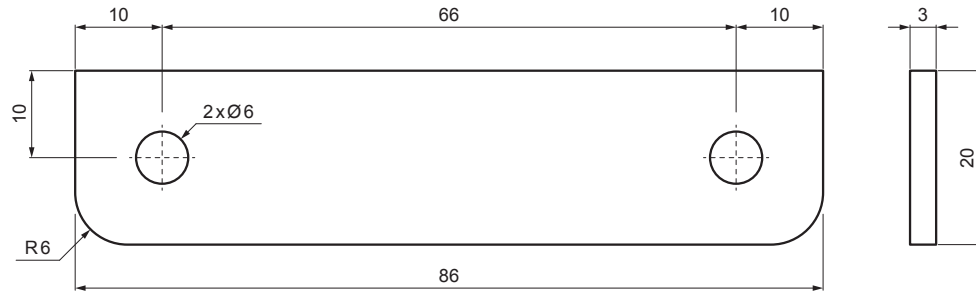


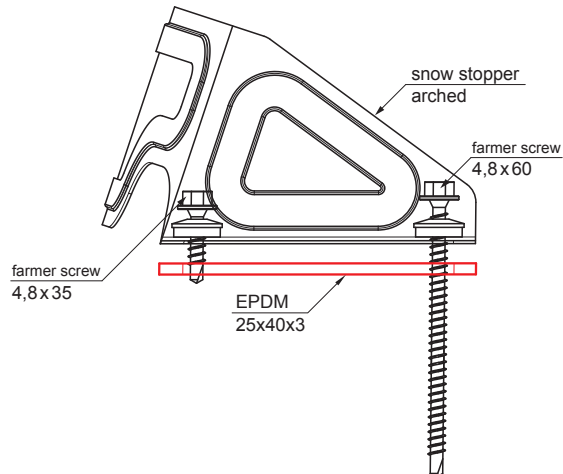
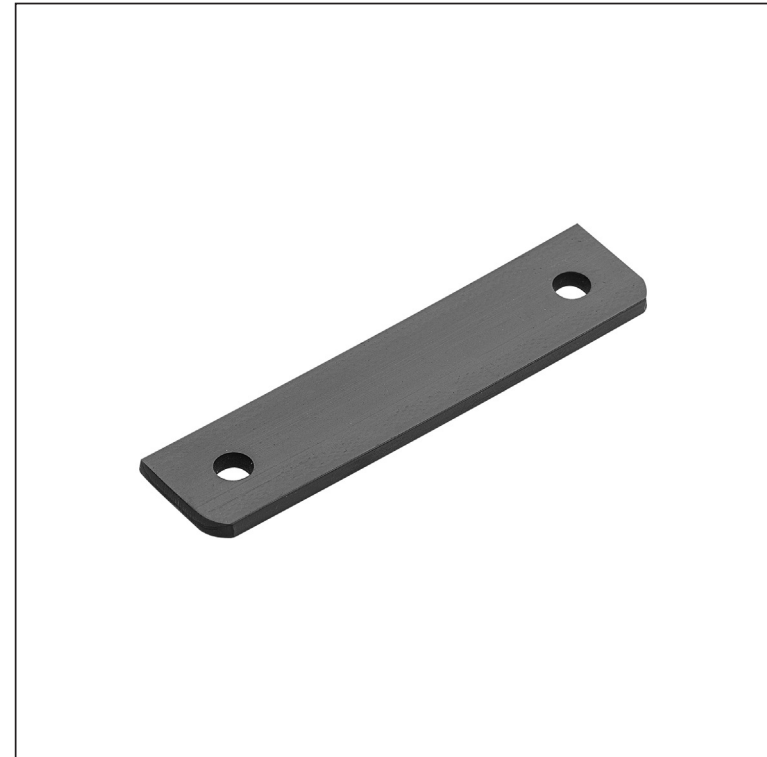
TECHNICAL SHEET

EPDM GASKET UNDER ARCHED SNOW STOPPER

UNI-ZSO PODLOZKA



material: EPDM black
hardness 65-74 ShA



IC EPDM – Intense black – RAL 9005

INDEX	CHANGE	DATE	SIGNATURE	KJG QUALITY®	Scan code for 3D model	
MATERIAL BRAND			W.C.	WEIGHT kg	SCALE	
SIZE, SEMI-FINISHED PRODUCTS			STN STANDARD		SORTING NUMBER	
AUXILIARY EQUIPMENT			NOTE		POSITION NUMBER	
ELABORATED BY Ing. Kluska M.			OLD DRAWING		DRAWING NUMBER	
TESTED BY			TECHNOLOGIST		DRAWING NUMBER	
NAME			EPDM gasket under arched snow stopper		UNI-ZSO PODLOZKA	
			Number of sheets		Sheet	

Created: 04.06.2026 07:58:33

Technical changes reserved