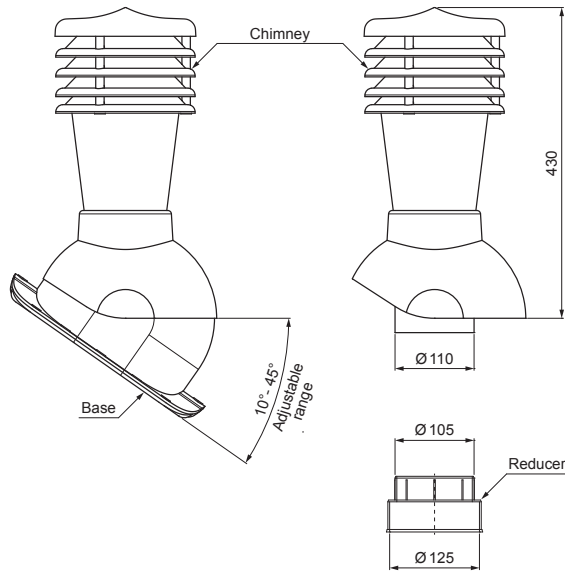


TECHNICAL SHEET

ROOF VENTILATION CHIMNEY UNI 1 Ø 150 MM

SD-EUV N25



PACKAGE CONTENTS:

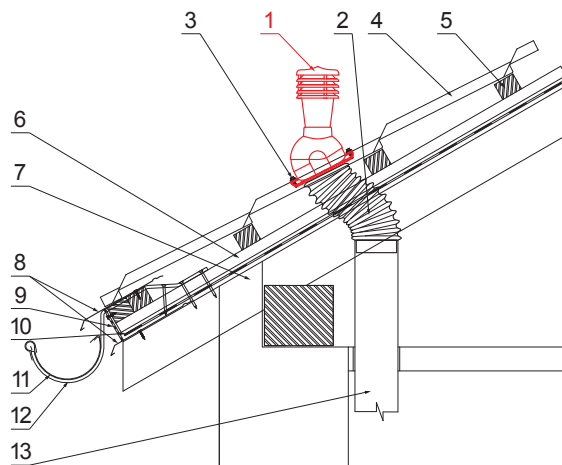
- base with butyl seal
- chimney
- reducer
- farm screws 16 pcs



AN PVC – Anthracite – RAL 7016

DETAIL:

1. roof ventilation chimney
2. hose with tightening clamp
3. farmer screw 4,8x35
4. metal roofing
5. roof battens
6. battens
7. rafter
8. drip edge
9. protective ventilation belt
10. foil
11. gutter half-round
12. hook
13. ventilation PVC piping



INDEX	CHANGE	DATE	SIGNATURE	KJG QUALITY	Scan code for 3D model	
MATERIAL BRAND			W.C.	WEIGHT kg	SCALE	
SIZE, SEMI-FINISHED PRODUCTS					STN STANDARD	
AUXILIARY EQUIPMENT					SORTING NUMBER	
ELABORATED BY Ing. Kluska M.					NOTE	
TESTED BY					POSITION NUMBER	
TECHNOLOGIST		TECHNOLOGIST		OLD DRAWING	DRAWING NUMBER	
NAME			Roof ventilation chimney UNI 1 Ø 150 mm		SD-EUV N25	
			Number of sheets		Sheet	

Created: 05.06.2026 04:58:41

Technical changes reserved