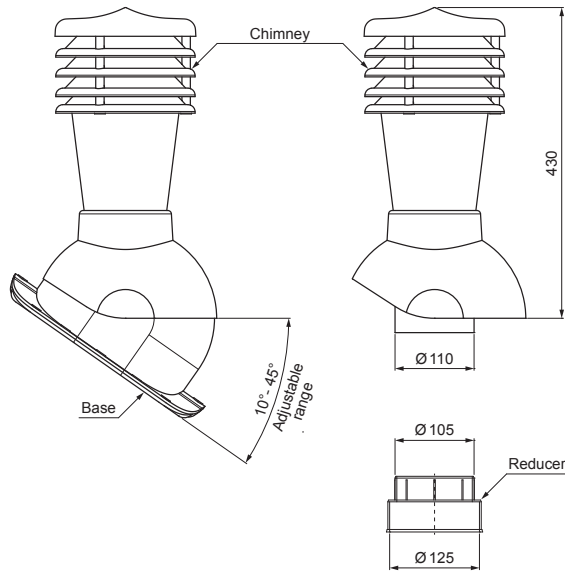


TECHNICAL SHEET

# ROOF VENTILATION CHIMNEY UNI 1 Ø 150 MM

# SD-EUV N25



**PACKAGE CONTENTS:**

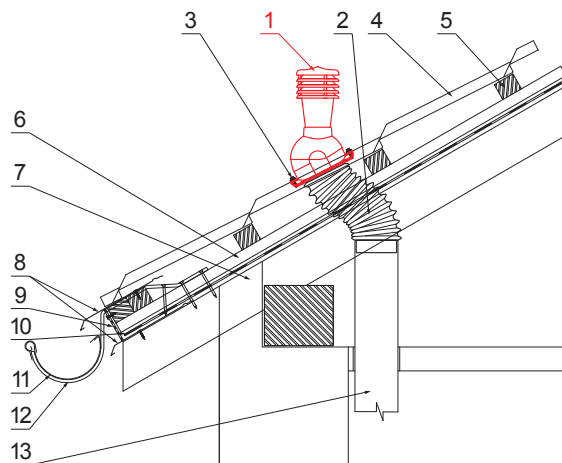
- base with butyl seal
- chimney
- reducer
- farm screws 16 pcs



**IC** PVC – Intense black – RAL 9005

**DETAIL:**

1. roof ventilation chimney
2. hose with tightening clamp
3. farmer screw 4,8x35
4. metal roofing
5. roof battens
6. battens
7. rafter
8. drip edge
9. protective ventilation belt
10. foil
11. gutter half-round
12. hook
13. ventilation PVC piping



INDEX	CHANGE	DATE	SIGNATURE	<b>KJG</b> QUALITY	Scan code for 3D model	
MATERIAL BRAND			W.C.	WEIGHT kg	SCALE	
SIZE, SEMI-FINISHED PRODUCTS						
AUXILIARY EQUIPMENT				STN STANDARD	SORTING NUMBER	
ELABORATED BY Ing. Kluska M.				NOTE	POSITION NUMBER	
TESTED BY						
TECHNOLOGIST		TECHNOLOGIST		OLD DRAWING	DRAWING NUMBER	
NAME Roof ventilation chimney UNI 1 Ø 150 mm				Number of sheets	SD-EUV N25	Sheet

Created: 06.06.2026 03:37:26

Technical changes reserved