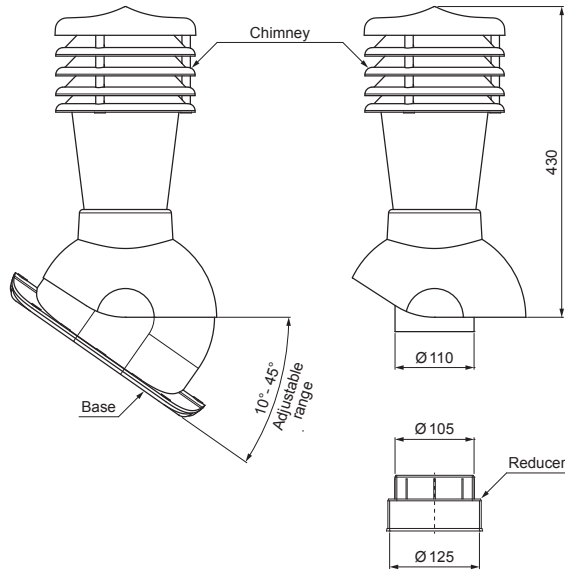


TECHNICAL SHEET

# ROOF VENTILATION CHIMNEY UNI 1 Ø 150 MM

## SD-EUV N25



**PACKAGE CONTENTS:**

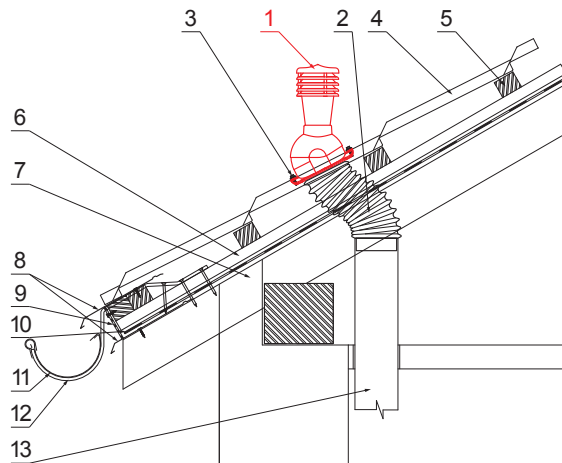
- base with butyl seal
- chimney
- reducer
- farm screws 16 pcs



**OC** PVC – Steel red – RAL 3009

**DETAIL:**

1. roof ventilation chimney
2. hose with tightening clamp
3. farmer screw 4,8x35
4. metal roofing
5. roof battens
6. battens
7. rafter
8. drip edge
9. protective ventilation belt
10. foil
11. gutter half-round
12. hook
13. ventilation PVC piping



INDEX	CHANGE	DATE	SIGNATURE	<b>KJG</b> QUALITY	Scan code for 3D model	
MATERIAL BRAND			W.C.	WEIGHT kg	SCALE	
SIZE, SEMI-FINISHED PRODUCTS				STN STANDARD	SORTING NUMBER	
AUXILIARY EQUIPMENT				NOTE	POSITION NUMBER	
ELABORATED BY Ing. Kluska M.						
TESTED BY				OLD DRAWING	DRAWING NUMBER	
TECHNOLOGIST			TECHNOLOGIST			
NAME			Roof ventilation chimney UNI 1 Ø 150 mm		Number of sheets	SD-EUV N25 Sheet

Created: 06.06.2026 07:19:43

Technical changes reserved