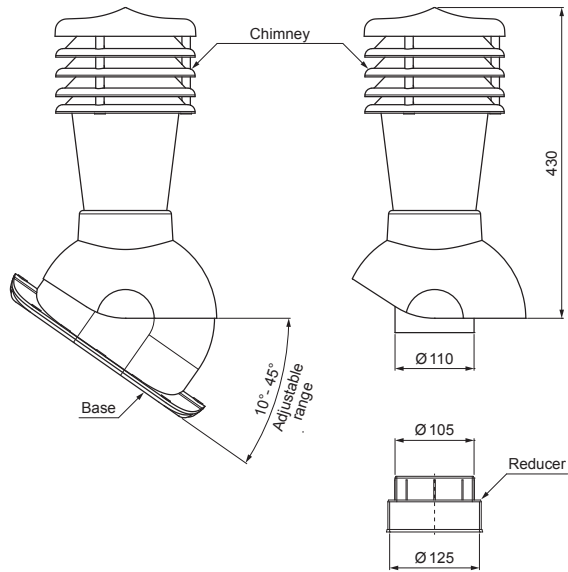


TECHNICAL SHEET

ROOF VENTILATION CHIMNEY UNI2 Ø 150 MM

SD-EUV W35



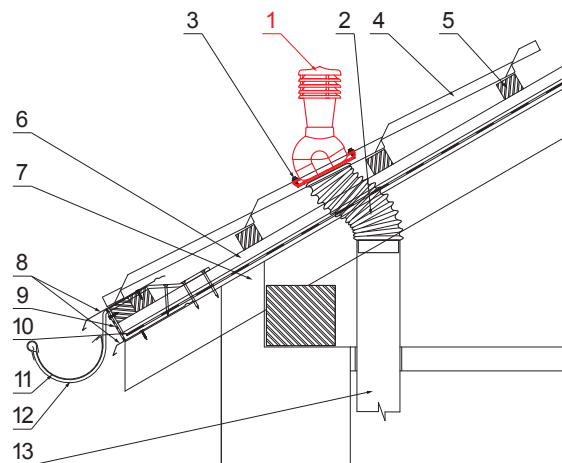
PACKAGE CONTENTS:

- base with butyl seal
- chimney
- reducer
- farm screws 16 pcs



DETAIL:

1. roof ventilation chimney
2. hose with tightening clamp
3. farmer screw 4,8x35
4. metal roofing
5. roof battens
6. battens
7. rafter
8. drip edge
9. protective ventilation belt
10. foil
11. gutter half-round
12. hook
13. ventilation PVC piping



TM PVC – Testa di Moro – RAL 8028

INDEX	CHANGE	DATE	SIGNATURE		
MATERIAL BRAND			W.C.	WEIGHT kg	SCALE
SIZE, SEMI-FINISHED PRODUCTS				STN STANDARD	SORTING NUMBER
AUXILIARY EQUIPMENT				NOTE	POSITION NUMBER
ELABORATED BY Ing. Kluska M.					
TESTED BY				OLD DRAWING	DRAWING NUMBER
TECHNOLOGIST			TECHNOLOGIST		
NAME			Roof ventilation chimney UNI2 Ø 150 mm		Number of sheets
					SD-EUV W35
					Sheet

Created: 06.06.2026 00:09:36

Technical changes reserved