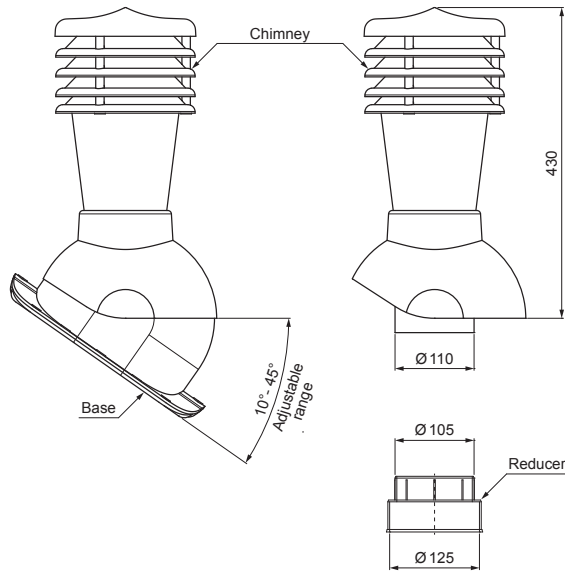


TECHNICAL SHEET

# ROOF VENTILATION CHIMNEY UNI2 Ø 150 MM

# SD-EUV W35



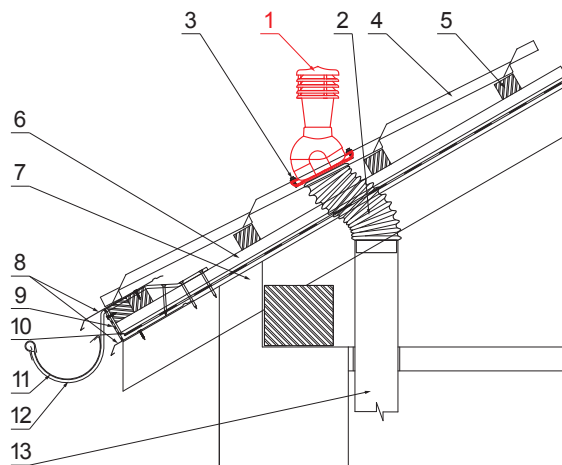
**PACKAGE CONTENTS:**

- base with butyl seal
- chimney
- reducer
- farm screws 16 pcs



**DETAIL:**

1. roof ventilation chimney
2. hose with tightening clamp
3. farmer screw 4,8x35
4. metal roofing
5. roof battens
6. battens
7. rafter
8. drip edge
9. protective ventilation belt
10. foil
11. gutter half-round
12. hook
13. ventilation PVC piping



**IC** PVC – Intense black – RAL 9005

INDEX	CHANGE	DATE	SIGNATURE	<b>KJG</b> QUALITY	Scan code for 3D model	
MATERIAL BRAND			W.C.	WEIGHT kg	SCALE	
SIZE, SEMI-FINISHED PRODUCTS				STN STANDARD	SORTING NUMBER	
AUXILIARY EQUIPMENT				NOTE	POSITION NUMBER	
ELABORATED BY Ing. Kluska M.						
TESTED BY				OLD DRAWING	DRAWING NUMBER	
TECHNOLOGIST			TECHNOLOGIST			
NAME			Roof ventilation chimney UNI2 Ø 150 mm		SD-EUV W35	
			Number of sheets		Sheet	

Created: 06.06.2026 06:57:29

Technical changes reserved