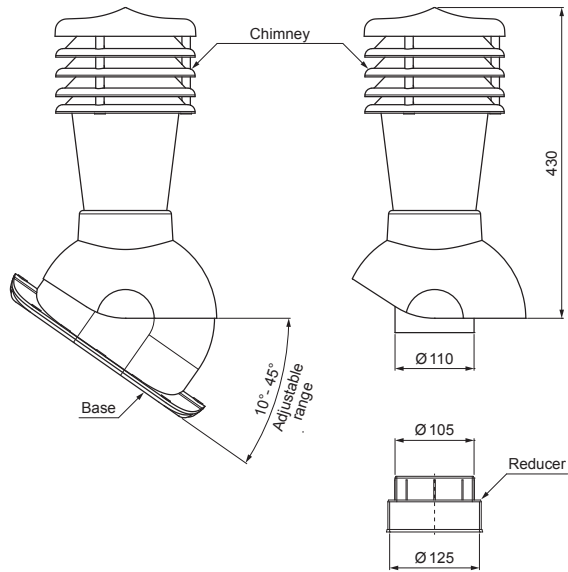


TECHNICAL SHEET

ROOF VENTILATION CHIMNEY UNI2 Ø 150 MM

SD-EUV W35



PACKAGE CONTENTS:

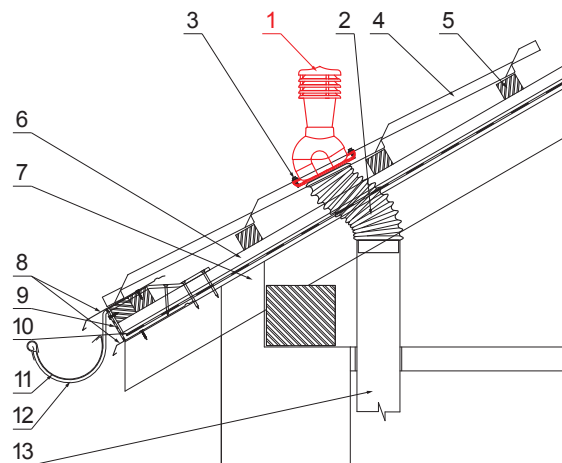
- base with butyl seal
- chimney
- reducer
- farm screws 16 pcs



MH PVC – Copper brown – RAL 8004

DETAIL:

1. roof ventilation chimney
2. hose with tightening clamp
3. farmer screw 4,8x35
4. metal roofing
5. roof battens
6. battens
7. rafter
8. drip edge
9. protective ventilation belt
10. foil
11. gutter half-round
12. hook
13. ventilation PVC piping



INDEX	CHANGE	DATE	SIGNATURE	KJG QUALITY	Scan code for 3D model	
MATERIAL BRAND			W.C.	WEIGHT kg	SCALE	
SIZE, SEMI-FINISHED PRODUCTS				STN STANDARD	SORTING NUMBER	
AUXILIARY EQUIPMENT				NOTE	POSITION NUMBER	
ELABORATED BY Ing. Kluska M.						
TESTED BY				OLD DRAWING	DRAWING NUMBER	
TECHNOLOGIST			TECHNOLOGIST			
NAME			Roof ventilation chimney UNI2 Ø 150 mm		SD-EUV W35	
			Number of sheets		Sheet	

Created: 06.06.2026 11:07:07

Technical changes reserved