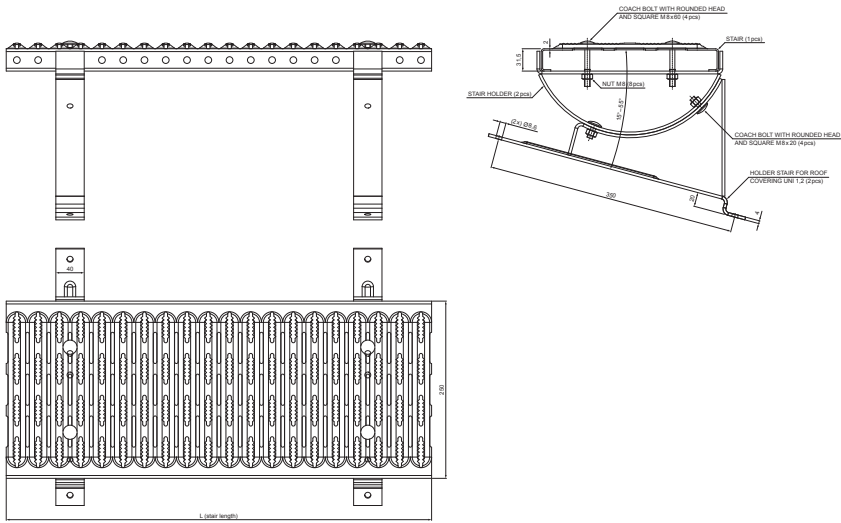


TECHNICAL SHEET

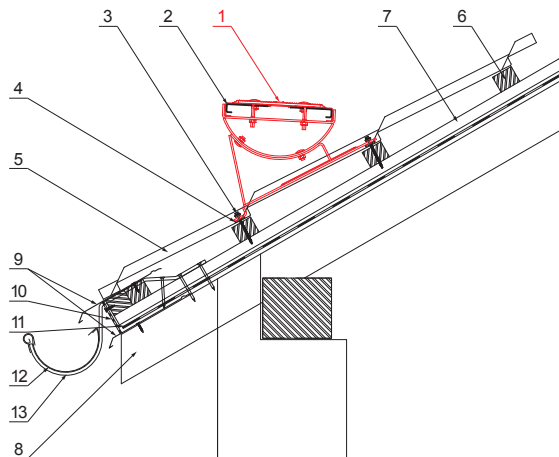
# WALKWAY FOR UNI METAL ROOFING

# UNI-DACH



**DETAIL:**

- 1. walkway for uni metal roofing
- 2. connector for roof walkways
- 3. farmer screw 4,8x60
- 4. EPDM gasket 25x40x3
- 5. metal roofing
- 6. roof battens
- 7. batten
- 8. rafter
- 9. drip edge
- 10. protective ventilation belt
- 11. foil
- 12. gutter half-round
- 13. hook



**AN** Galvanized steel pre-painted – Anthracite – RAL 7016

|                               |        |              |                  |                        |                        |
|-------------------------------|--------|--------------|------------------|------------------------|------------------------|
| INDEX                         | CHANGE | DATE         | SIGNATURE        | <b>KJG</b><br>QUALITY® | Scan code for 3D model |
|                               |        |              |                  |                        |                        |
| MATERIAL BRAND                |        |              | W.C.             | WEIGHT kg              | SCALE                  |
| SIZE, SEMI-FINISHED PRODUCTS  |        |              |                  |                        |                        |
| AUXILIARY EQUIPMENT           |        |              |                  | STN STANDARD           | SORTING NUMBER         |
| ELABORATED BY Ing. Kluska M.  |        |              |                  | NOTE                   | POSITION NUMBER        |
| TESTED BY                     |        |              |                  |                        |                        |
| TECHNOLOGIST                  |        | TECHNOLOGIST |                  | OLD DRAWING            | DRAWING NUMBER         |
| NAME                          |        |              | UNI-DACH         |                        |                        |
| Walkway for UNI metal roofing |        |              | Number of sheets |                        | Sheet                  |

Created: 06.06.2026 06:11:51

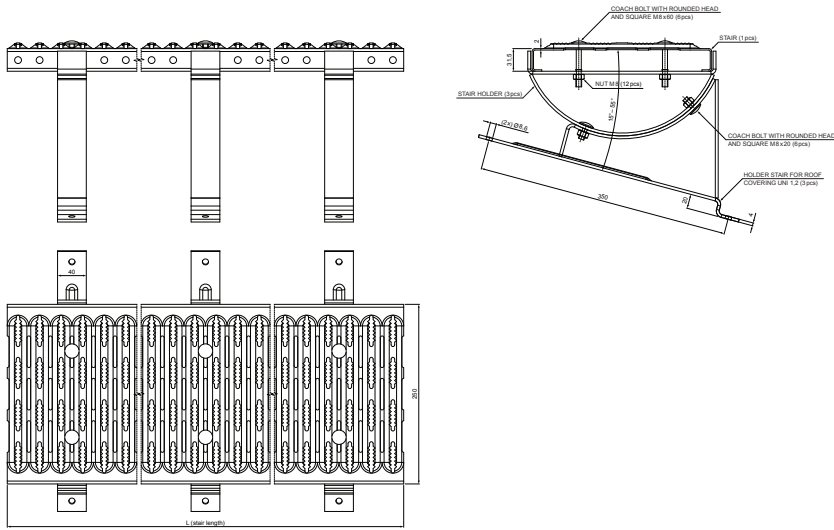
Technical changes reserved

| Dimensions [mm]   |     |
|-------------------|-----|
| Nominal dimension | L   |
| 600               | 600 |
| 800               | 800 |

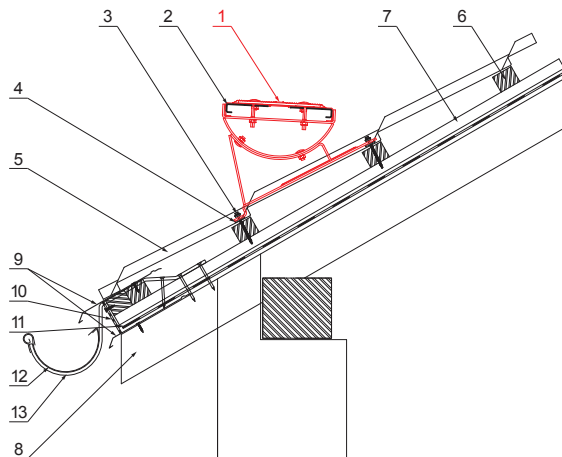
TECHNICAL SHEET

# WALKWAY FOR UNI METAL ROOFING

# UNI-DACH



- DETAIL:**
1. walkway for uni metal roofing
  2. connector for roof walkways
  3. farmer screw 4,8x60
  4. EPDM gasket 25x40x3
  5. metal roofing
  6. roof battens
  7. batten
  8. rafter
  9. drip edge
  10. protective ventilation belt
  11. foil
  12. gutter half-round
  13. hook



**AN** Galvanized steel pre-painted – Anthracite – RAL 7016

|                               |        |              |           |                        |                        |  |
|-------------------------------|--------|--------------|-----------|------------------------|------------------------|--|
| INDEX                         | CHANGE | DATE         | SIGNATURE | <b>KJG</b><br>QUALITY® | Scan code for 3D model |  |
|                               |        |              |           |                        |                        |  |
| MATERIAL BRAND                |        |              | W.C.      | WEIGHT kg              | SCALE                  |  |
| SIZE, SEMI-FINISHED PRODUCTS  |        |              |           | STN STANDARD           | SORTING NUMBER         |  |
| AUXILIARY EQUIPMENT           |        |              |           | NOTE                   | POSITION NUMBER        |  |
| ELABORATED BY Ing. Kluska M.  |        |              |           |                        |                        |  |
| TESTED BY                     |        |              |           |                        |                        |  |
| TECHNOLOGIST                  |        | TECHNOLOGIST |           | OLD DRAWING            | DRAWING NUMBER         |  |
| NAME                          |        |              |           | UNI-DACH               |                        |  |
| Walkway for UNI metal roofing |        |              |           | Number of sheets       | Sheet                  |  |

Created: 06.06.2026 06:11:51

Technical changes reserved

| Dimensions [mm]   |      |
|-------------------|------|
| Nominal dimension | L    |
| 1200              | 1200 |