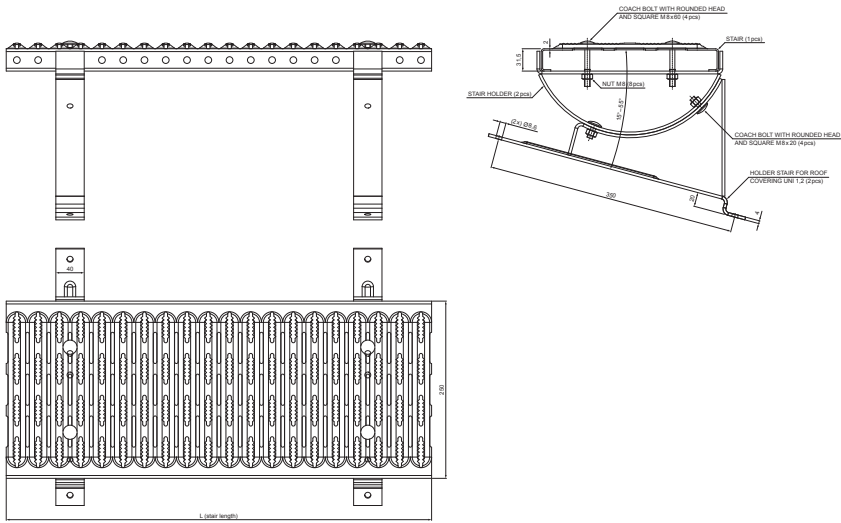


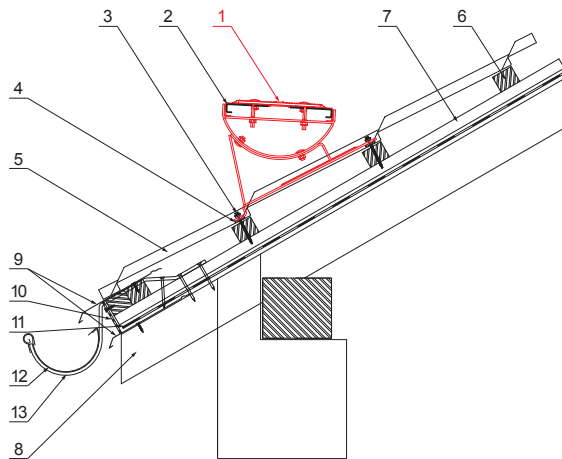
TECHNICAL SHEET

# WALKWAY FOR UNI METAL ROOFING

# UNI-DACH



- DETAIL:**
1. walkway for uni metal roofing
  2. connector for roof walkways
  3. farmer screw 4,8x60
  4. EPDM gasket 25x40x3
  5. metal roofing
  6. roof battens
  7. batten
  8. rafter
  9. drip edge
  10. protective ventilation belt
  11. foil
  12. gutter half-round
  13. hook



**IC** Galvanized steel pre-painted – Intense black – RAL 9005

INDEX	CHANGE	DATE	SIGNATURE	<b>KJG</b> QUALITY®	Scan code for 3D model
MATERIAL BRAND			W.C.	WEIGHT kg	SCALE
SIZE, SEMI-FINISHED PRODUCTS					
AUXILIARY EQUIPMENT				STN STANDARD	SORTING NUMBER
ELABORATED BY Ing. Kluska M.				NOTE	POSITION NUMBER
TESTED BY					
TECHNOLOGIST		TECHNOLOGIST		OLD DRAWING	DRAWING NUMBER
NAME Walkway for UNI metal roofing				Number of sheets	UNI-DACH Sheet

Created: 06.06.2026 07:11:41

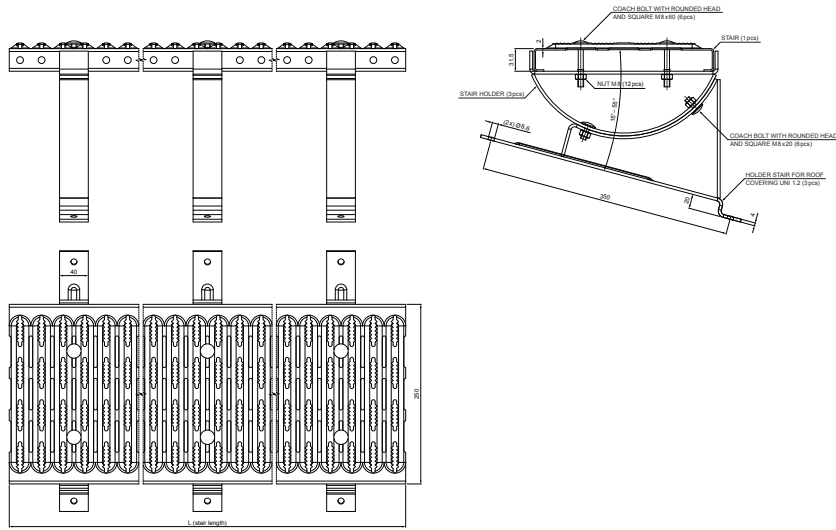
Technical changes reserved

Dimensions [mm]	
Nominal dimension	L
600	600
800	800

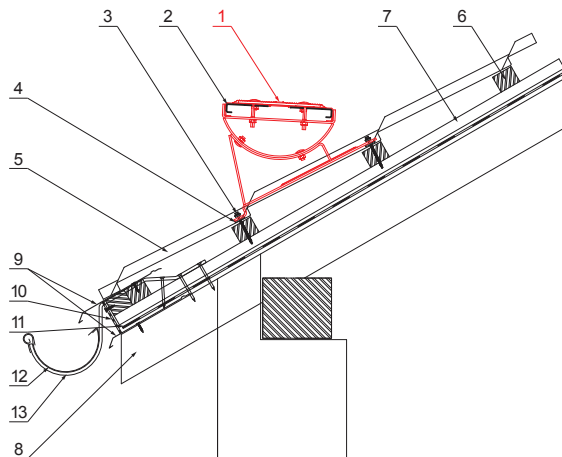
TECHNICAL SHEET

# WALKWAY FOR UNI METAL ROOFING

# UNI-DACH



- DETAIL:**
1. walkway for uni metal roofing
  2. connector for roof walkways
  3. farmer screw 4,8x60
  4. EPDM gasket 25x40x3
  5. metal roofing
  6. roof battens
  7. batten
  8. rafter
  9. drip edge
  10. protective ventilation belt
  11. foil
  12. gutter half-round
  13. hook



**IC** Galvanized steel pre-painted – Intense black – RAL 9005

INDEX	CHANGE	DATE	SIGNATURE	<b>KJG</b> QUALITY®	Scan code for 3D model	
MATERIAL BRAND			W.C.	WEIGHT kg	SCALE	
SIZE, SEMI-FINISHED PRODUCTS				STN STANDARD	SORTING NUMBER	
AUXILIARY EQUIPMENT				NOTE	POSITION NUMBER	
ELABORATED BY Ing. Kluska M.				OLD DRAWING	DRAWING NUMBER	
TESTED BY			TECHNOLOGIST			
NAME			Walkway for UNI metal roofing		Number of sheets	UNI-DACH Sheet

Created: 06.06.2026 07:11:41

Technical changes reserved

Dimensions [mm]	
Nominal dimension	L
1200	1200