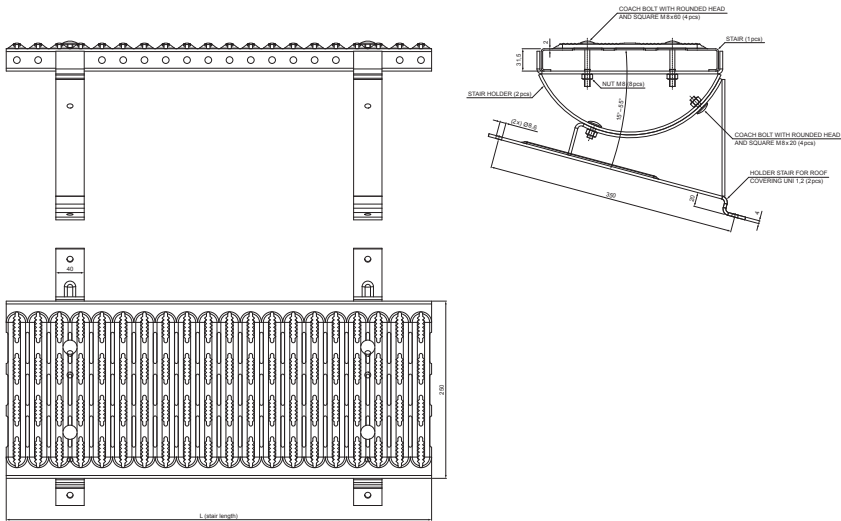


TECHNICAL SHEET

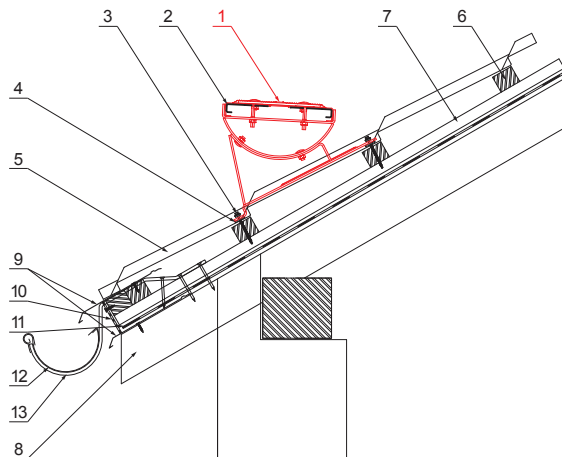
WALKWAY FOR UNI METAL ROOFING

UNI-DACH



DETAIL:

- 1. walkway for uni metal roofing
- 2. connector for roof walkways
- 3. farmer screw 4,8x60
- 4. EPDM gasket 25x40x3
- 5. metal roofing
- 6. roof battens
- 7. batten
- 8. rafter
- 9. drip edge
- 10. protective ventilation belt
- 11. foil
- 12. gutter half-round
- 13. hook



OC Galvanized steel pre-painted – Steel red – RAL 3009

Dimensions [mm]	
Nominal dimension	L
600	600
800	800

INDEX	CHANGE	DATE	SIGNATURE	KJG QUALITY®	Scan code for 3D model
MATERIAL BRAND			W.C.	WEIGHT kg	SCALE
SIZE, SEMI-FINISHED PRODUCTS					
AUXILIARY EQUIPMENT				STN STANDARD	SORTING NUMBER
ELABORATED BY Ing. Kluska M.				NOTE	POSITION NUMBER
TESTED BY					
TECHNOLOGIST		TECHNOLOGIST		OLD DRAWING	DRAWING NUMBER
NAME			UNI-DACH		
Walkway for UNI metal roofing			Number of sheets		Sheet

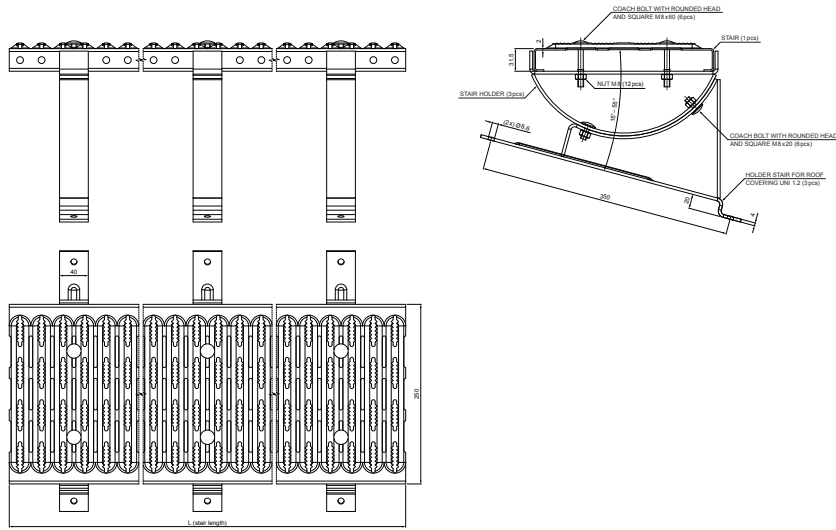
Created: 07.06.2026 10:21:12

Technical changes reserved

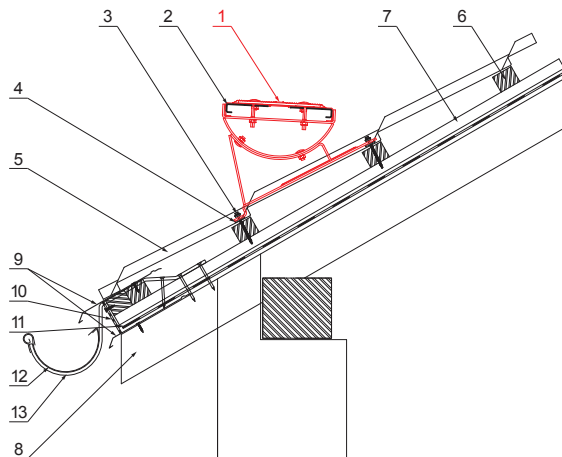
TECHNICAL SHEET

WALKWAY FOR UNI METAL ROOFING

UNI-DACH



- DETAIL:**
1. walkway for uni metal roofing
 2. connector for roof walkways
 3. farmer screw 4,8x60
 4. EPDM gasket 25x40x3
 5. metal roofing
 6. roof battens
 7. batten
 8. rafter
 9. drip edge
 10. protective ventilation belt
 11. foil
 12. gutter half-round
 13. hook



OC Galvanized steel pre-painted – Steel red – RAL 3009

INDEX	CHANGE	DATE	SIGNATURE	KJG QUALITY®	Scan code for 3D model
MATERIAL BRAND			W.C.	WEIGHT kg	SCALE
SIZE, SEMI-FINISHED PRODUCTS				STN STANDARD	SORTING NUMBER
AUXILIARY EQUIPMENT				NOTE	POSITION NUMBER
ELABORATED BY Ing. Kluska M.					
TESTED BY					
TECHNOLOGIST		TECHNOLOGIST		OLD DRAWING	DRAWING NUMBER
NAME			UNI-DACH		
Walkway for UNI metal roofing			Number of sheets		Sheet

Created: 07.06.2026 10:21:12

Technical changes reserved

Dimensions [mm]	
Nominal dimension	L
1200	1200