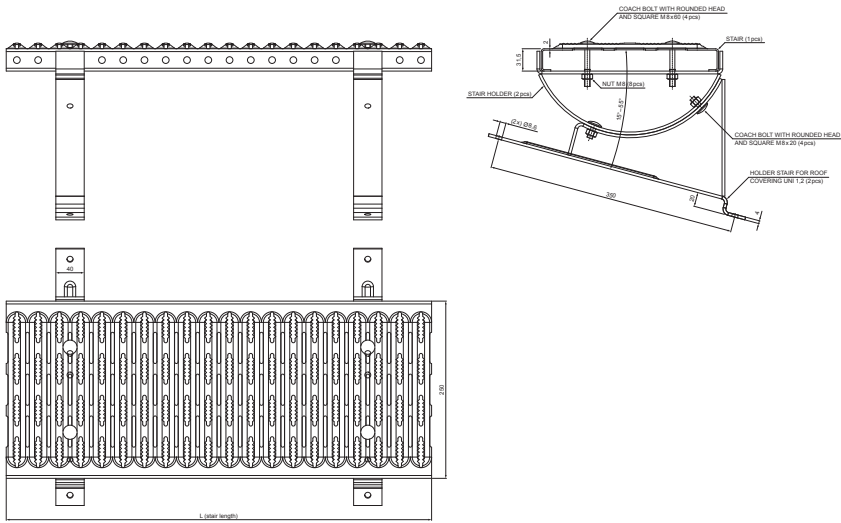


TECHNICAL SHEET

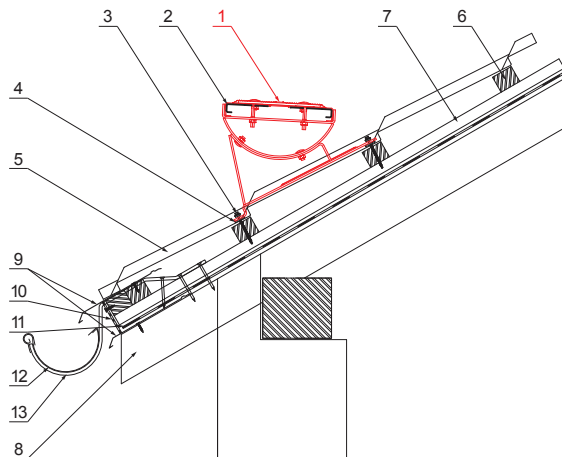
WALKWAY FOR UNI METAL ROOFING

UNI-DACH



DETAIL:

- 1. walkway for uni metal roofing
- 2. connector for roof walkways
- 3. farmer screw 4,8x60
- 4. EPDM gasket 25x40x3
- 5. metal roofing
- 6. roof battens
- 7. batten
- 8. rafter
- 9. drip edge
- 10. protective ventilation belt
- 11. foil
- 12. gutter half-round
- 13. hook



MH Galvanized steel pre-painted – Copper brown – RAL 8004

INDEX	CHANGE	DATE	SIGNATURE	KJG QUALITY®	Scan code for 3D model
MATERIAL BRAND			W.C.	WEIGHT kg	SCALE
SIZE, SEMI-FINISHED PRODUCTS				STN STANDARD	SORTING NUMBER
AUXILIARY EQUIPMENT				NOTE	POSITION NUMBER
ELABORATED BY Ing. Kluska M.				OLD DRAWING	DRAWING NUMBER
TESTED BY			TECHNOLOGIST		
NAME			Walkway for UNI metal roofing		
			Number of sheets	UNI-DACH	Sheet

Created: 05.06.2026 01:38:38

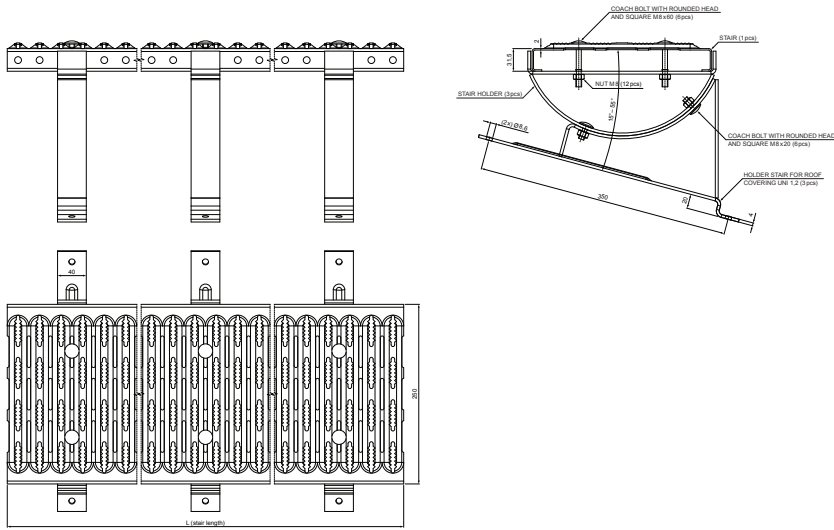
Technical changes reserved

Dimensions [mm]		L
Nominal dimension		
600		600
800		800

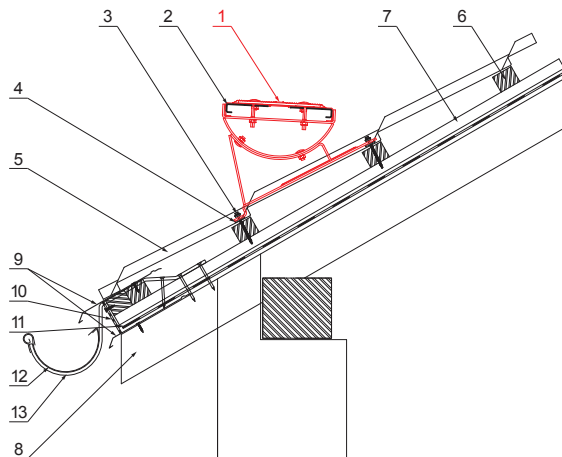
TECHNICAL SHEET

WALKWAY FOR UNI METAL ROOFING

UNI-DACH



- DETAIL:**
1. walkway for uni metal roofing
 2. connector for roof walkways
 3. farmer screw 4,8x60
 4. EPDM gasket 25x40x3
 5. metal roofing
 6. roof battens
 7. batten
 8. rafter
 9. drip edge
 10. protective ventilation belt
 11. foil
 12. gutter half-round
 13. hook



MH Galvanized steel pre-painted – Copper brown – RAL 8004

INDEX	CHANGE	DATE	SIGNATURE	KJG QUALITY®	Scan code for 3D model	
MATERIAL BRAND			W.C.	WEIGHT kg	SCALE	
SIZE, SEMI-FINISHED PRODUCTS				STN STANDARD	SORTING NUMBER	
AUXILIARY EQUIPMENT				NOTE	POSITION NUMBER	
ELABORATED BY Ing. Kluska M.						
TESTED BY						
TECHNOLOGIST		TECHNOLOGIST		OLD DRAWING	DRAWING NUMBER	
NAME				UNI-DACH		
Walkway for UNI metal roofing				Number of sheets	Sheet	

Created: 05.06.2026 01:38:38

Technical changes reserved

Dimensions [mm]	
Nominal dimension	L
1200	1200