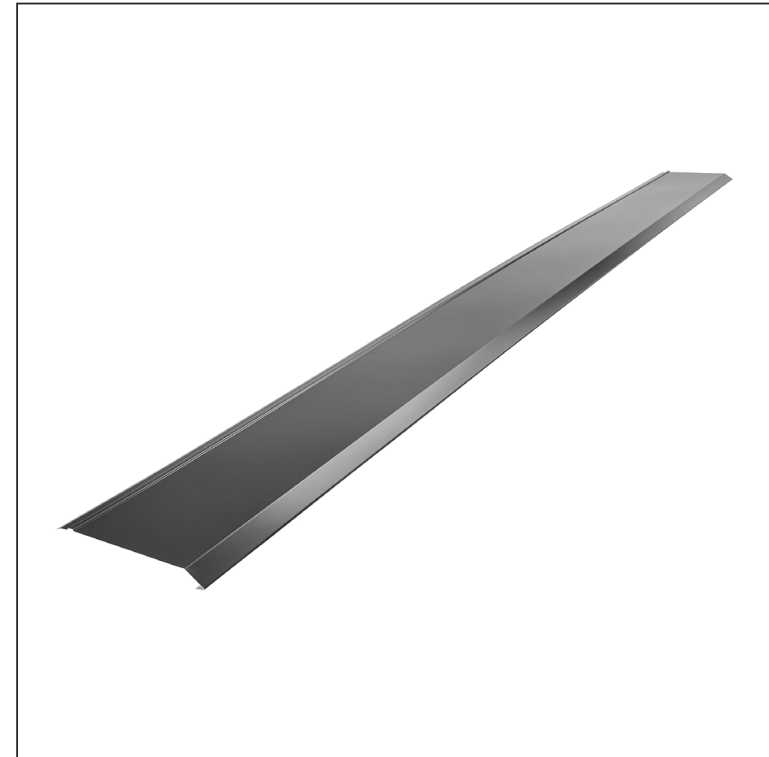
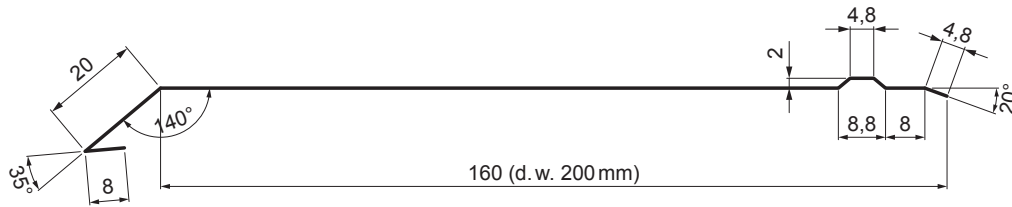


TECHNICAL SHEET

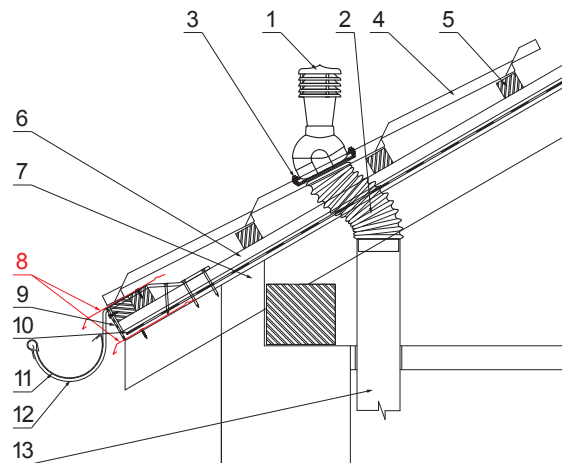
DRIP EDGE

UNI-PODKP



DETAIL:

1. roof ventilation chimney
2. hose with tightening clamp
3. farmer screw 4,8x35
4. metal roofing
5. roof battens
6. battens
7. rafter
8. drip edge
9. protective ventilation belt
10. foil
11. gutter half-round
12. hook
13. ventilation PVC piping



AN Galvanized steel pre-painted – Anthracite – RAL 7016

INDEX	CHANGE	DATE	SIGNATURE	KJG QUALITY®	Scan code for 3D model	
MATERIAL BRAND			W.C.	WEIGHT kg	SCALE	
SIZE, SEMI-FINISHED PRODUCTS				STN STANDARD	SORTING NUMBER	
AUXILIARY EQUIPMENT				NOTE	POSITION NUMBER	
ELABORATED BY Ing. Kluska M.						
TESTED BY				OLD DRAWING	DRAWING NUMBER	
TECHNOLOGIST			TECHNOLOGIST			
NAME			Drip edge		UNI-PODKP	
			Number of sheets		Sheet	

Created: 06.06.2026 14:30:36

Technical changes reserved

Dimensions	
Nominal dimension [mm]	Length [m]
200	2,0
200	3,0