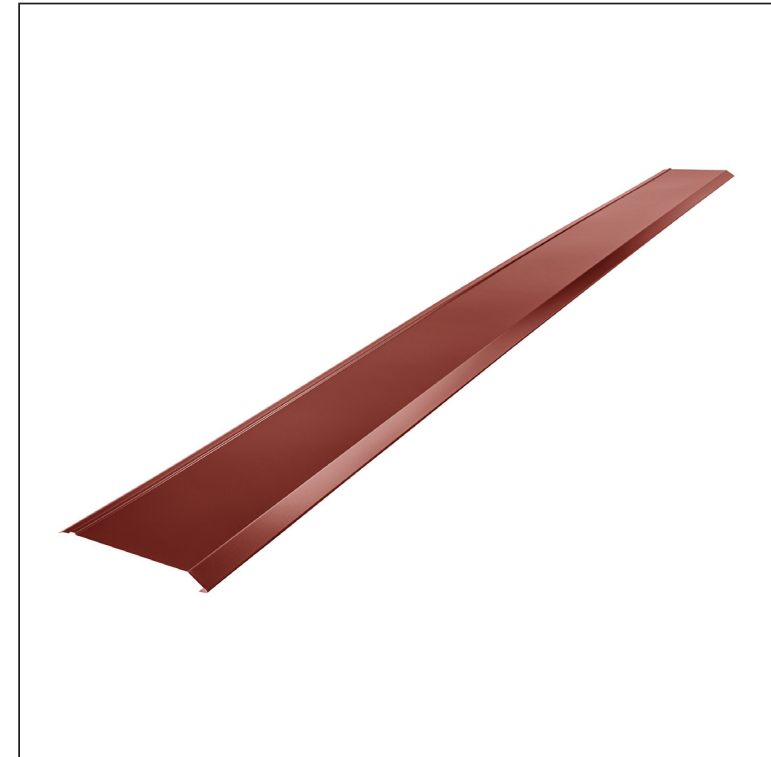
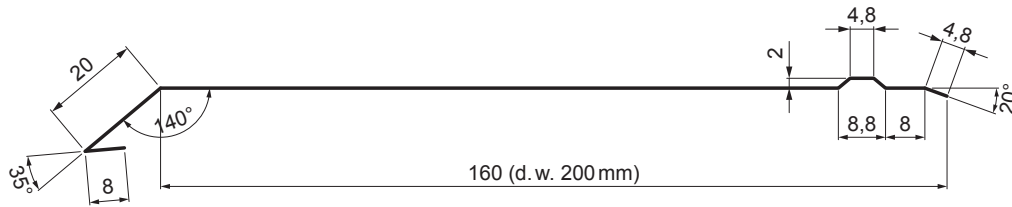


TECHNICAL SHEET

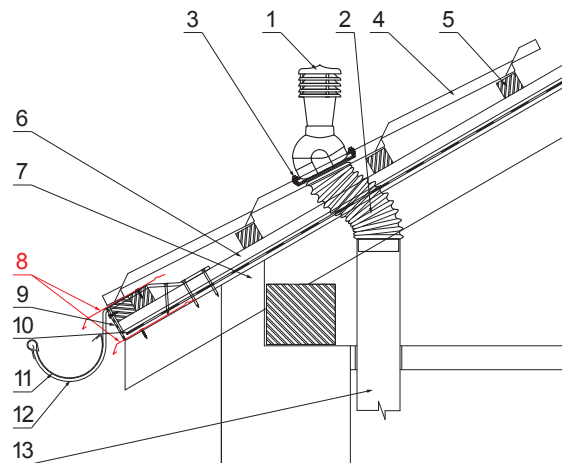
DRIP EDGE

UNI-PODKP



DETAIL:

1. roof ventilation chimney
2. hose with tightening clamp
3. farmer screw 4,8x35
4. metal roofing
5. roof battens
6. battens
7. rafter
8. drip edge
9. protective ventilation belt
10. foil
11. gutter half-round
12. hook
13. ventilation PVC piping



OC Galvanized steel prepainted – Steel red – RAL 3009

INDEX	CHANGE	DATE	SIGNATURE	KJG QUALITY®	Scan code for 3D model	
MATERIAL BRAND			W.C.	WEIGHT kg	SCALE	
SIZE, SEMI-FINISHED PRODUCTS				STN STANDARD	SORTING NUMBER	
AUXILIARY EQUIPMENT				NOTE	POSITION NUMBER	
ELABORATED BY Ing. Kluska M.						
TESTED BY				OLD DRAWING	DRAWING NUMBER	
TECHNOLOGIST			TECHNOLOGIST			
NAME			Drip edge		Number of sheets	UNI-PODKP Sheet

Created: 04.06.2026 05:23:00

Technical changes reserved

Dimensions	
Nominal dimension [mm]	Length [m]
200	2,0
200	3,0