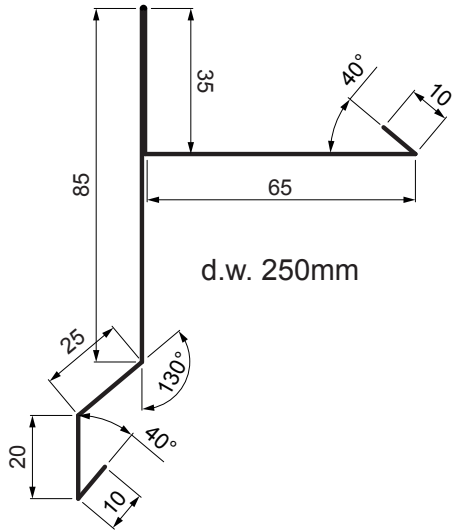


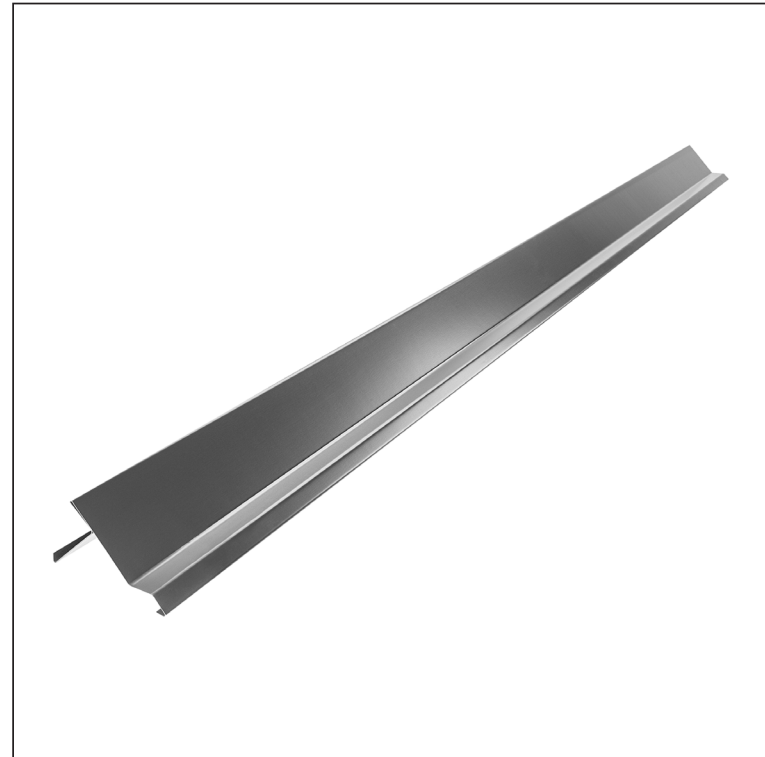
TECHNICAL SHEET

BARGE FLASHING

UNI-PKLE

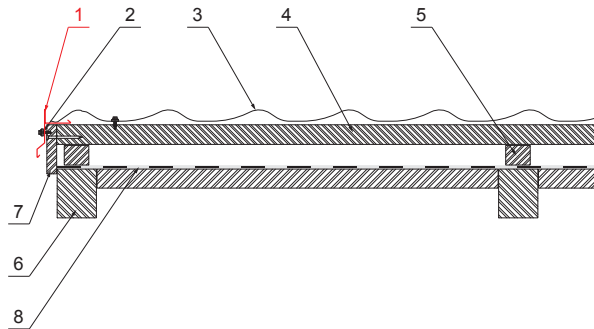


d.w. 250mm



DETAIL:

1. barge flashing
2. farmer screw 4,8x20
3. metal roofing
4. roof battens
5. battens / air gap
6. rafter
7. gable plate
8. foil / waterproofing insulation



AN Galvanized steel pre-painted – Anthracite – RAL 7016

INDEX	CHANGE	DATE	SIGNATURE	KJG QUALITY®	Scan code for 3D model
MATERIAL BRAND			W.C.	WEIGHT kg	SCALE
SIZE, SEMI-FINISHED PRODUCTS				STN STANDARD	SORTING NUMBER
AUXILIARY EQUIPMENT				NOTE	POSITION NUMBER
ELABORATED BY Ing. Kluska M.					
TESTED BY		TECHNOLOGIST		OLD DRAWING	DRAWING NUMBER
NAME			UNI-PKLE		
Barge flashing			Number of sheets		Sheet

Created: 06.06.2026 06:29:18

Technical changes reserved

Dimensions	
Nominal dimension [mm]	Length [m]
250	2,0
250	3,0