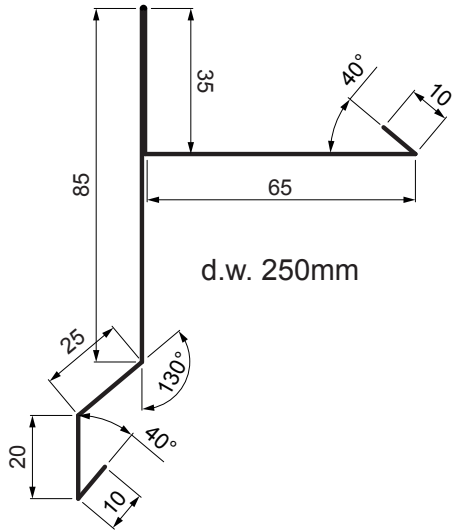


TECHNICAL SHEET

BARGE FLASHING

UNI-PKLE

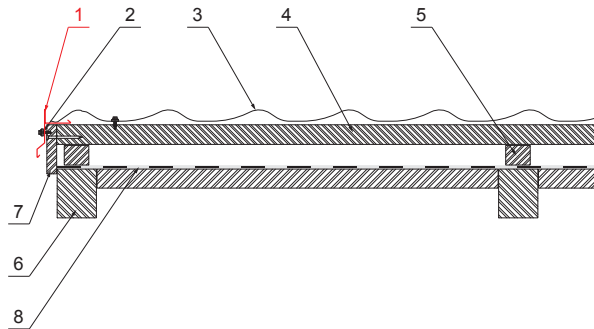


d.w. 250mm







DETAIL:

1. barge flashing
2. farmer screw 4,8x20
3. metal roofing
4. roof battens
5. battens / air gap
6. rafter
7. gable plate
8. foil / waterproofing insulation



IC Galvanized steel pre-painted – Intense black – RAL 9005

INDEX	CHANGE	DATE	SIGNATURE			
MATERIAL BRAND			W.C.	WEIGHT kg	SCALE	
SIZE, SEMI-FINISHED PRODUCTS				STN STANDARD	SORTING NUMBER	
AUXILIARY EQUIPMENT				NOTE	POSITION NUMBER	
ELABORATED BY Ing. Kluska M.						
TESTED BY				OLD DRAWING	DRAWING NUMBER	
TECHNOLOGIST			TECHNOLOGIST			
NAME			Barge flashing		Number of sheets	UNI-PKLE Sheet 

Created: 06.06.2026 07:57:49

Technical changes reserved

Dimensions	
Nominal dimension [mm]	Length [m]
250	2,0
250	3,0