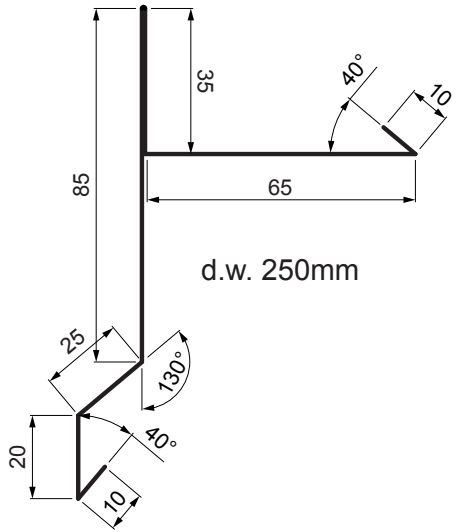


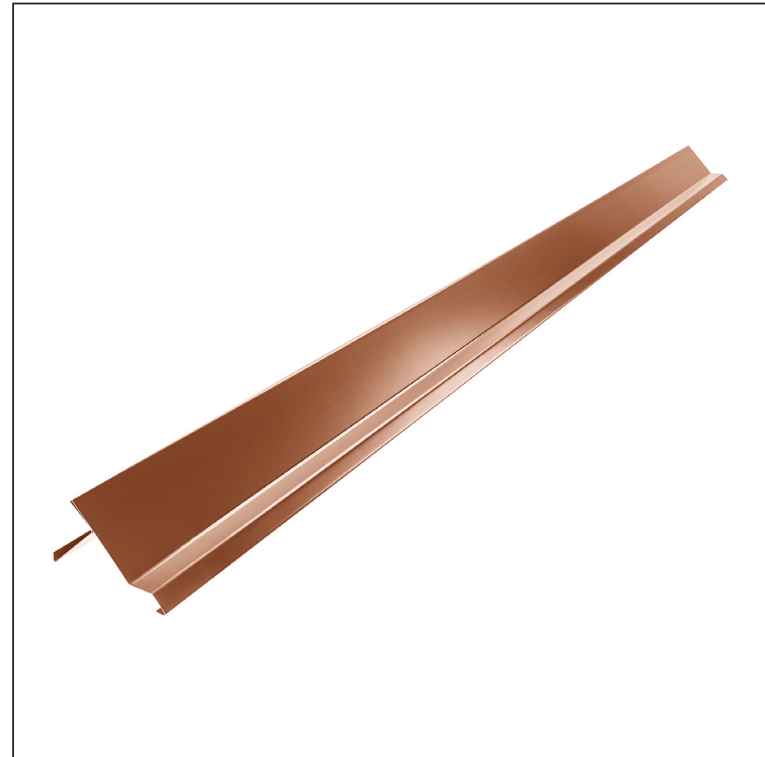
TECHNICAL SHEET

BARGE FLASHING

UNI-PKLE

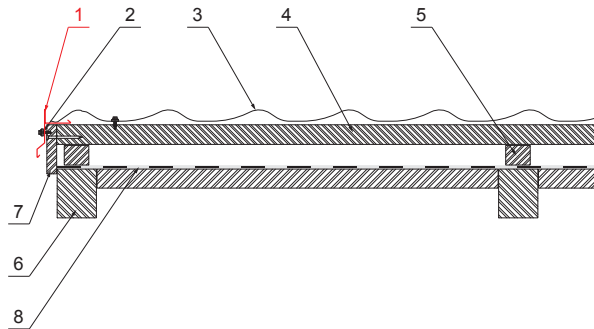


d.w. 250mm



DETAIL:

- 1. barge flashing
- 2. farmer screw 4,8x20
- 3. metal roofing
- 4. roof battens
- 5. battens / air gap
- 6. rafter
- 7. gable plate
- 8. foil / waterproofing insulation



MH Galvanized steel pre-painted – Copper brown – RAL 8004

INDEX	CHANGE	DATE	SIGNATURE	KJG QUALITY®	Scan code for 3D model	
MATERIAL BRAND			W.C.	WEIGHT kg	SCALE	
SIZE, SEMI-FINISHED PRODUCTS				STN STANDARD	SORTING NUMBER	
AUXILIARY EQUIPMENT				NOTE	POSITION NUMBER	
ELABORATED BY Ing. Kluska M.						
TESTED BY						
TECHNOLOGIST		TECHNOLOGIST		OLD DRAWING	DRAWING NUMBER	
NAME			Barge flashing		Number of sheets	UNI-PKLE Sheet

Created: 05.06.2026 02:38:17

Technical changes reserved

Dimensions	
Nominal dimension [mm]	Length [m]
250	2,0
250	3,0