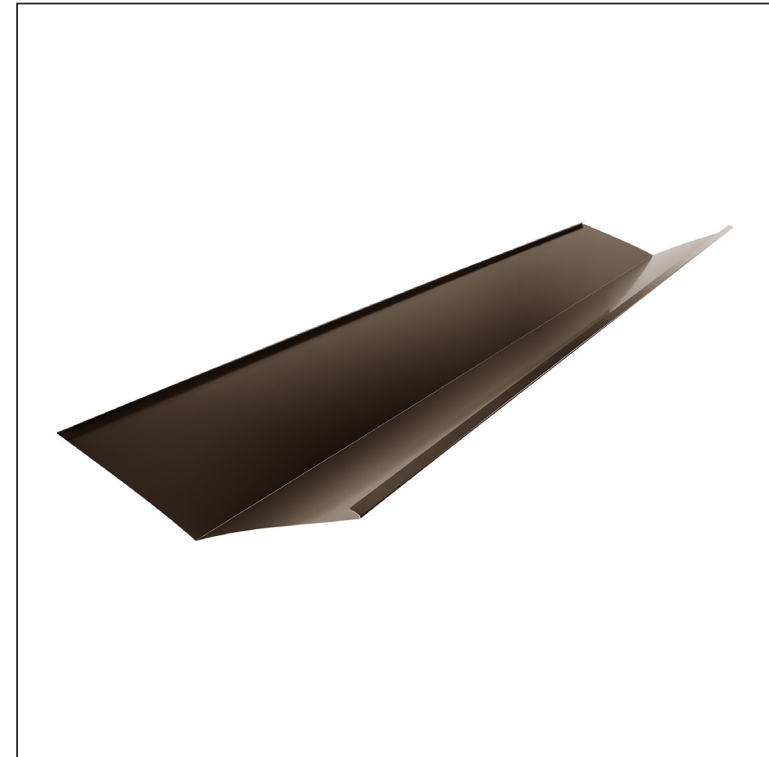
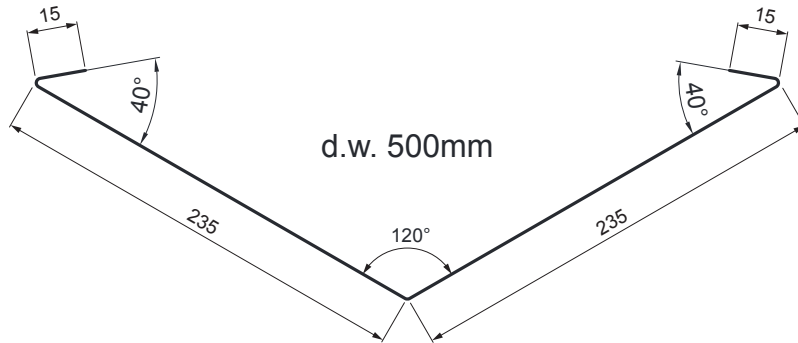


# TECHNICAL SHEET

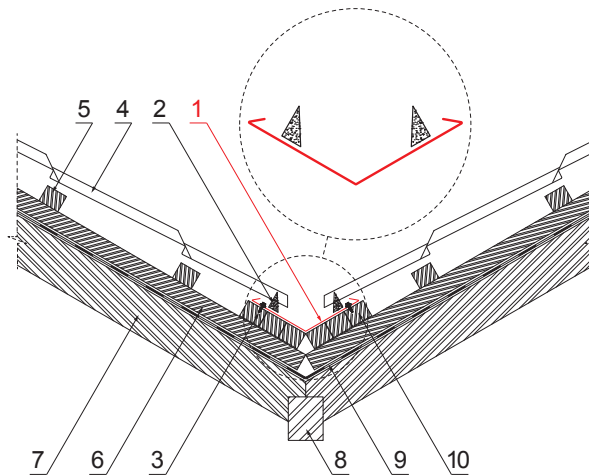
## VALLEY GUTTER

# UNI-PUZL



### DETAIL:

1. valley gutter
2. roof valley sealing wedge
3. farmer screw 4,8x20
4. metal roofing
5. roof battens
6. battens
7. rafter
8. roof valley rafter
9. foil/insulating waterproofing
10. valley formwork



A sealing strip is glued to the fixed roof valley. It is covered with roof covering. The position of the sealing strip should be such that it is not affected by sunlight (it must be sufficiently covered by roof covering). The strip prevents water from entering under the covering.

Dimensions	
Nominal size [mm]	Length [m]
500	2,0

**TM** Galvanized steel prepainted – Testa di Moro – RAL 8028

INDEX	DATE	SIGNATURE	<b>KJG</b> QUALITY®	Scan code for 3D model
CHANGE				
MATERIAL BRAND		W.C.	WEIGHT kg	SCALE
SIZE, SEMI-FINISHED PRODUCTS			STN STANDARD	SORTING NUMBER
AUXILIARY EQUIPMENT			NOTE	POSITION NUMBER
ELABORATED BY Ing. Kluska M.				
TESTED BY			OLD DRAWING	DRAWING NUMBER
TECHNOLOGIST		TECHNOLOGIST		
NAME		Valley gutter		Number of sheets
				UNI-PUZL Sheet

Created: 22.04.2026 17:44:57

Technical changes reserved