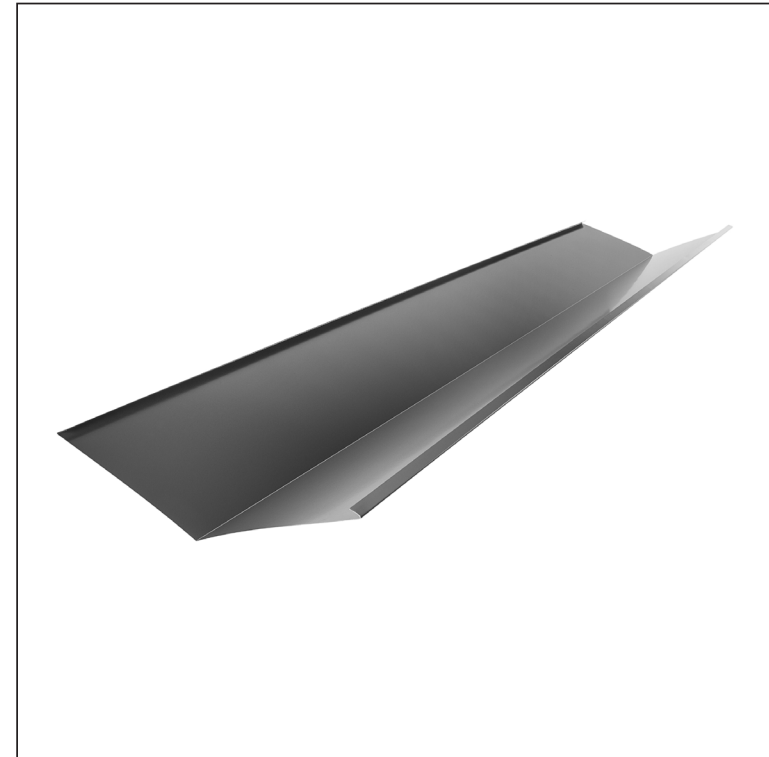
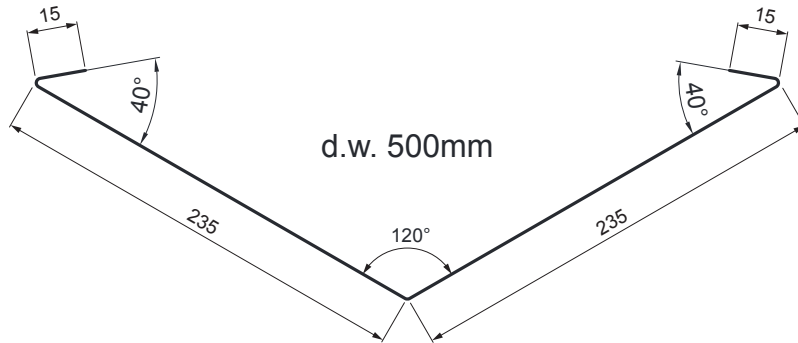


TECHNICAL SHEET

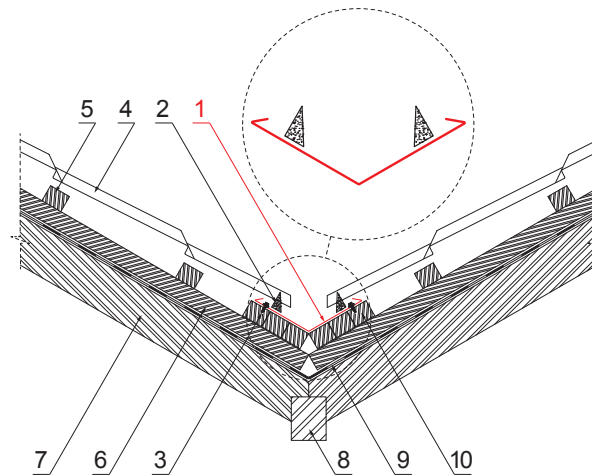
VALLEY GUTTER

UNI-PUZL



DETAIL:

1. valley gutter
2. roof valley sealing wedge
3. farmer screw 4,8x20
4. metal roofing
5. roof battens
6. battens
7. rafter
8. roof valley rafter
9. foil/insulating waterproofing
10. valley formwork



A sealing strip is glued to the fixed roof valley. It is covered with roof covering. The position of the sealing strip should be such that it is not affected by sunlight (it must be sufficiently covered by roof covering). The strip prevents water from entering under the covering.

AN Galvanized steel prepainted – Anthracite – RAL 7016

INDEX	CHANGE	DATE	SIGNATURE	KJG QUALITY®	Scan code for 3D model	
MATERIAL BRAND			W.C.	WEIGHT kg	SCALE	
SIZE, SEMI-FINISHED PRODUCTS				STN STANDARD	SORTING NUMBER	
AUXILIARY EQUIPMENT				NOTE	POSITION NUMBER	
ELABORATED BY Ing. Kluska M.						
TESTED BY						
TECHNOLOGIST		TECHNOLOGIST		OLD DRAWING	DRAWING NUMBER	
NAME			Valley gutter		Number of sheets	UNI-PUZL Sheet

Created: 06.06.2026 06:29:09

Technical changes reserved

Dimensions	
Nominal size [mm]	Length [m]
500	2,0