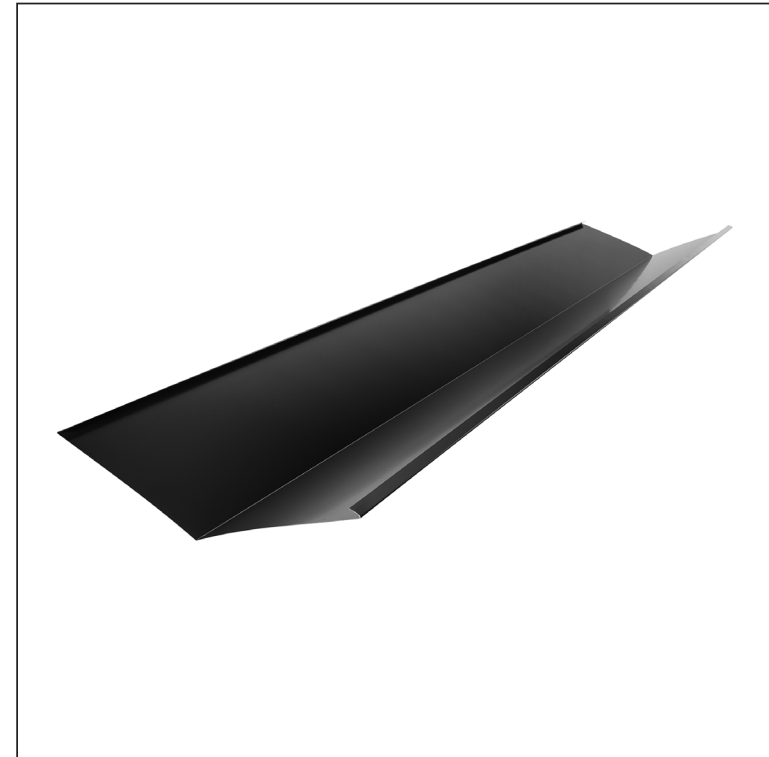
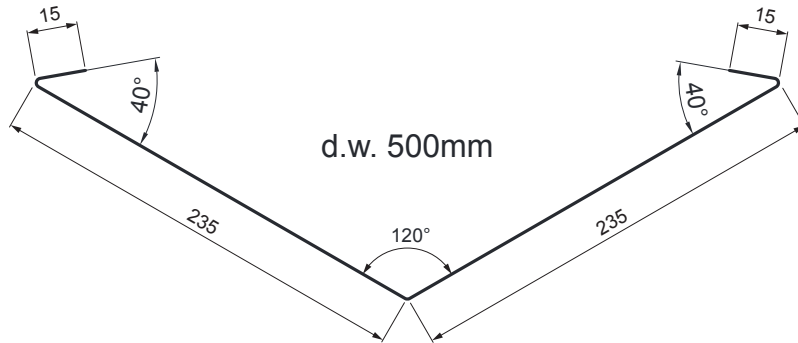


# TECHNICAL SHEET

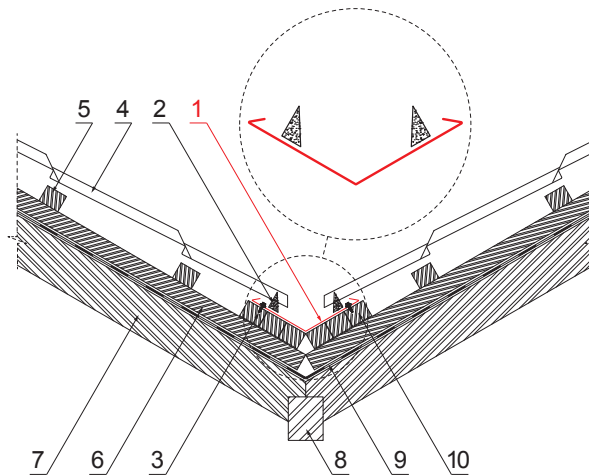
## VALLEY GUTTER

# UNI-PUZL



### DETAIL:

1. valley gutter
2. roof valley sealing wedge
3. farmer screw 4,8x20
4. metal roofing
5. roof battens
6. battens
7. rafter
8. roof valley rafter
9. foil/insulating waterproofing
10. valley formwork



A sealing strip is glued to the fixed roof valley. It is covered with roof covering. The position of the sealing strip should be such that it is not affected by sunlight (it must be sufficiently covered by roof covering). The strip prevents water from entering under the covering.

**IC** Galvanized steel prepainted – Intense black – RAL 9005

INDEX	CHANGE	DATE	SIGNATURE	<b>KJG</b> QUALITY®	Scan code for 3D model
MATERIAL BRAND			W.C.	WEIGHT kg	SCALE
SIZE, SEMI-FINISHED PRODUCTS				STN STANDARD	SORTING NUMBER
AUXILIARY EQUIPMENT				NOTE	POSITION NUMBER
ELABORATED BY Ing. Kluska M.					
TESTED BY					
TECHNOLOGIST		TECHNOLOGIST		OLD DRAWING	DRAWING NUMBER
NAME			Valley gutter		
			Number of sheets		UNI-PUZL Sheet

Created: 06.06.2026 06:06:50

Technical changes reserved

Dimensions	
Nominal size [mm]	Length [m]
500	2,0